
Tufty-Bed

BEDS

Patricia Urquiola



Description

Comfort and solidity, modernity and the bond with tradition expressed by citing the Chesterfield spirit and capitonné style. The leather or fabric cover is divided into squares, the distinctive feature of the series, on the base and headboard. With a base that goes down to the floor, it allows the internal space to be used as a convenient compartment.

Technical information

Internal frame:

tubular steel and steel profiles

Internal frame upholstery:

Bayfit® (Bayer®) flexible cold shaped polyurethane foam, polyester fibre cover

Slatted base for storage unit:

plastic material tools, tubular steel and beechwood multilayer slats

Raising mechanism for storage unit slatted base:

operated by a manually controlled gas-lift

Internal shelf for storage unit:

MDF wood fibre panel

Fixed slatted base support:

black thermoplastic material

Corner plate:

black painted steel

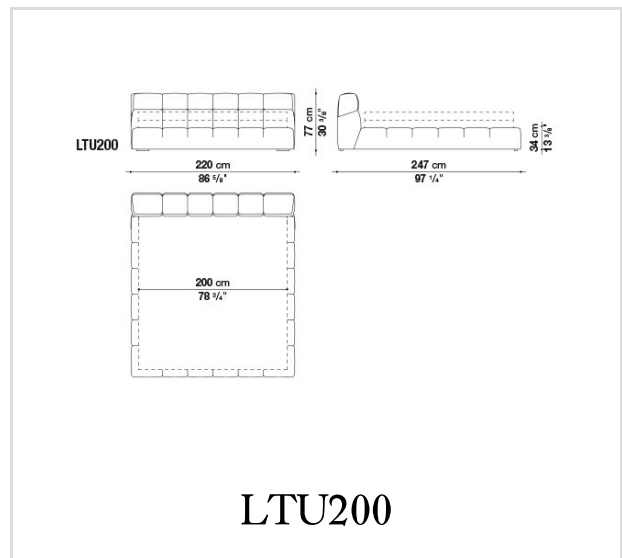
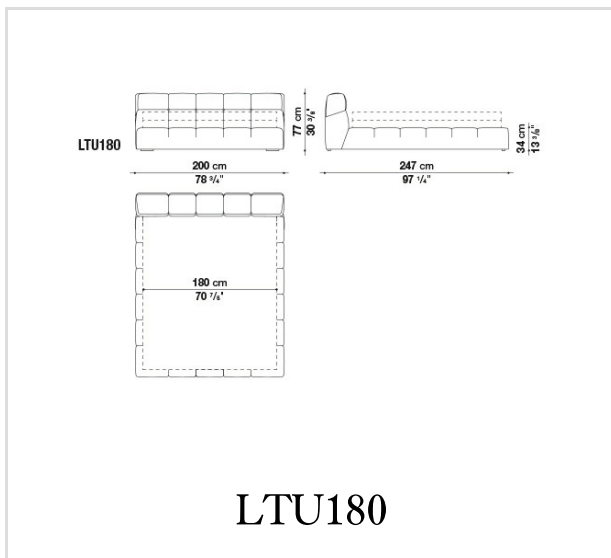
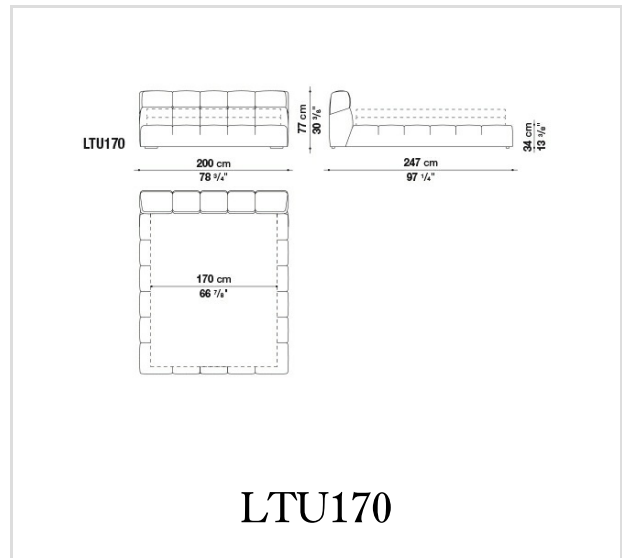
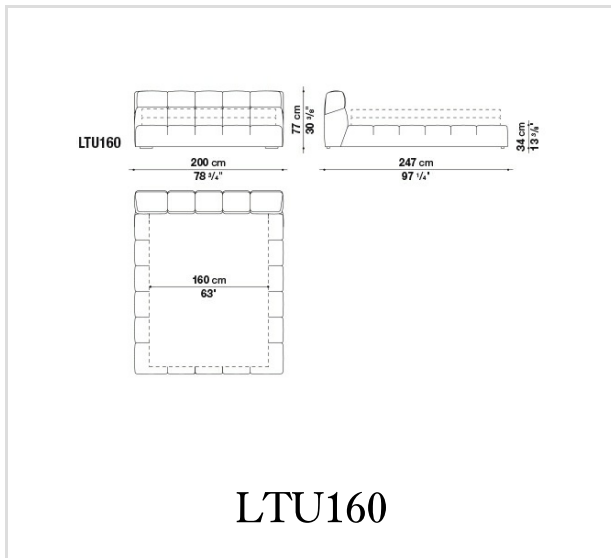
Feet and ferrules:

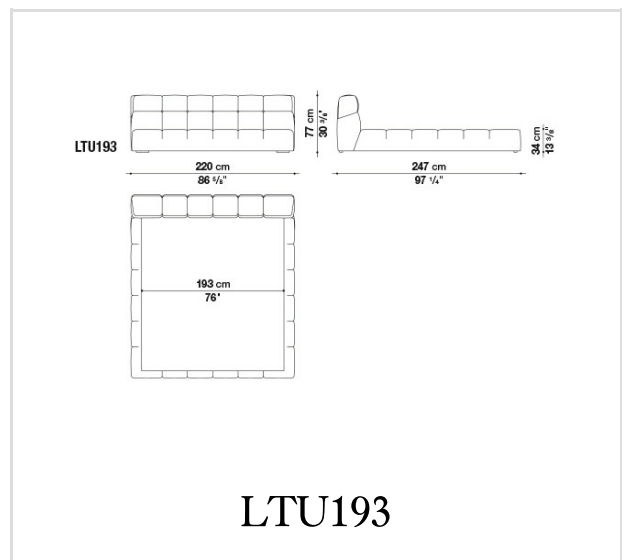
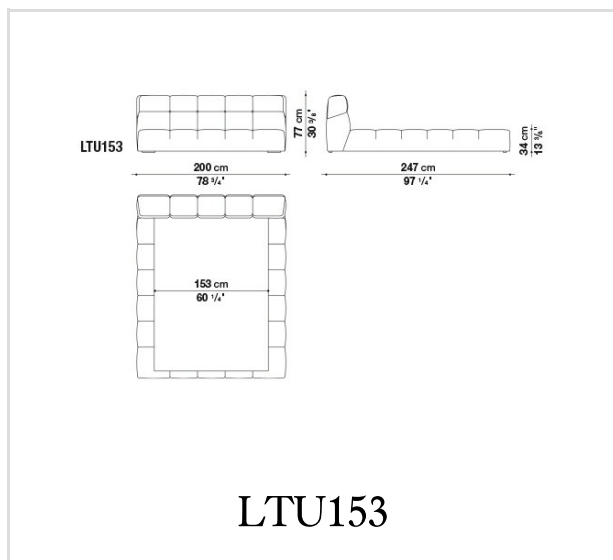
natural oak

Cover:

fabric or leather

Technical drawings





B&B Italia reserves the right to make technological and aesthetic improvements to its models, including changes to the sizes and materials, without notice. The technical drawings do not define the details of the product. The measurements shown are indicative and may undergo changes. In particular, the dimensions relevant to the padded parts are subject to usage tolerances over time caused by the normal adjustment of the padding. For the specific information, please contact the dealer closest to you.