
Siena

BEDS

Naoto Fukasawa



Description

From the very first glance its airy image is striking with the projecting base that defines the entire perimeter of the bed and which, at the back, becomes a convenient surface to place books and accessories. The backrest is inclined to offer an ideal relaxing position. Impressive from behind, it can even be placed at the centre of the room.

Technical information

Internal frame:

tubular steel and steel profiles

Internal frame upholstery:

Bayfit® (Bayer®) flexible cold shaped polyurethane foam, polyester fibre cover

Base-frame:

bronzed nickel painted or bright chromed tubular steel

Wheels support frame:

grey painted steel

Slatted base:

tubular steel and beechwood multilayer slats

Ferrules:

thermoplastic material

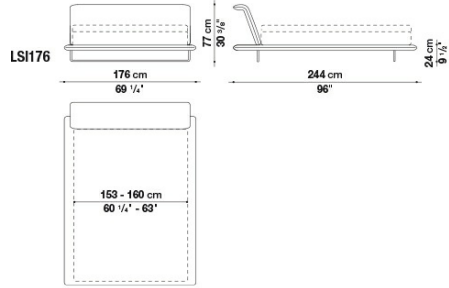
Wheels:

white plastic material

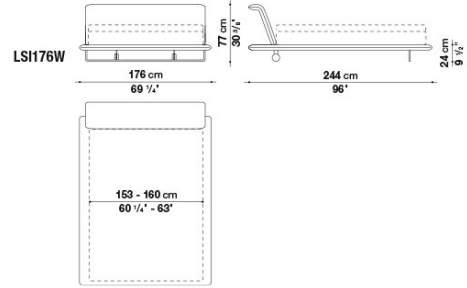
Cover:

fabric or leather

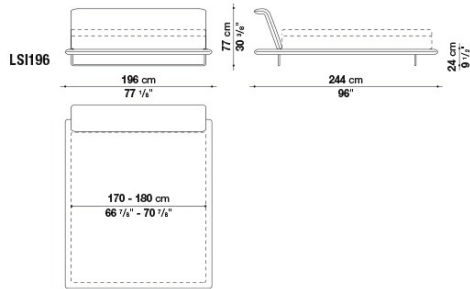
Technical drawings



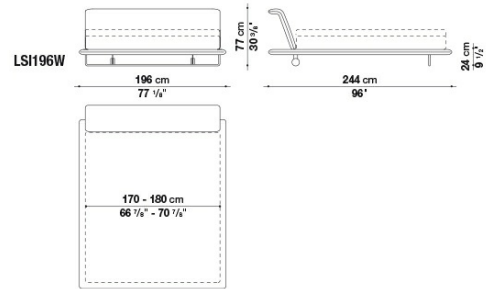
LSI176



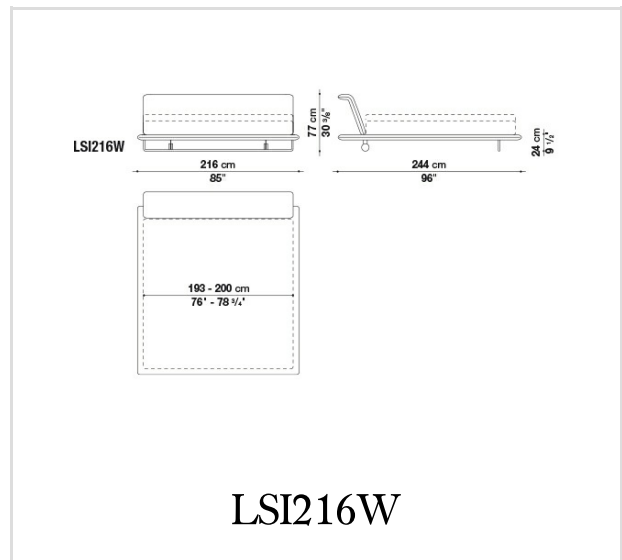
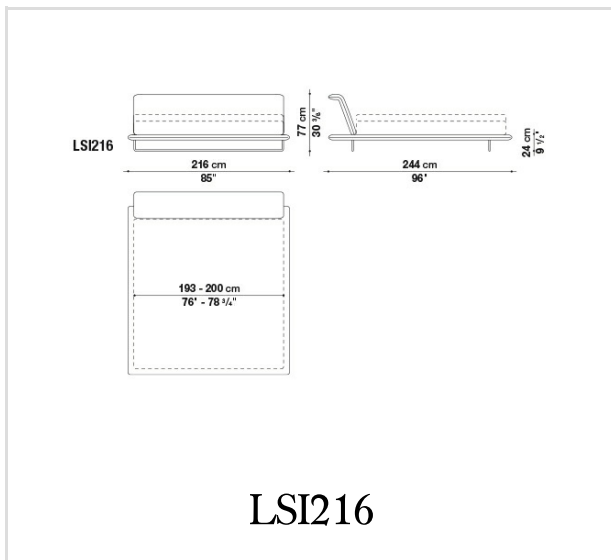
LSI176W



LSI196



LSI196W



B&B Italia reserves the right to make technological and aesthetic improvements to its models, including changes to the sizes and materials, without notice. The technical drawings do not define the details of the product. The measurements shown are indicative and may undergo changes. In particular, the dimensions relevant to the padded parts are subject to usage tolerances over time caused by the normal adjustment of the padding. For the specific information, please contact the dealer closest to you.