

FEBO



PRODUCT INFO

DESIGNER: ANTONIO CITTERIO

TYPOLOGY: CHAISE LONGUE

COLLECTION: MAXALTO

YEAR: 2009

DESCRIPTION

FEBO IS AVAILABLE IN SOFA, ARMCHAIR AND CHAIR VERSIONS BUT ALSO AS A COMFORTABLE AND DISTINCTIVE CHAISE LONGUE. IT IS AVAILABLE WITH THE SAME FINISHES AS ALL THE OTHER ELEMENTS OF THE FAMILY.

MAXALTO

FEBO

TECHNICAL INFORMATION

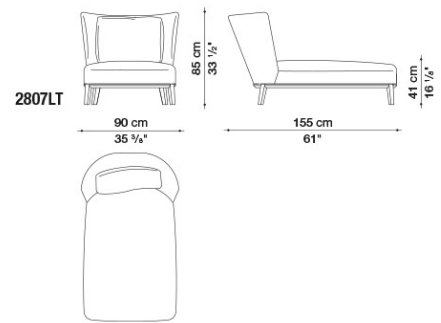
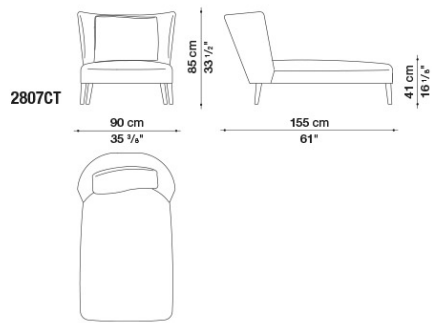
- **INTERNAL FRAME:**
TUBULAR STEEL AND STEEL PROFILES
- **INTERNAL FRAME UPHOLSTERY:**
BAYFIT® (BAYER®) FLEXIBLE COLD SHAPED POLYURETHANE FOAM, POLYESTER FIBRE COVER
- **BACK CUSHION UPHOLSTERY:**
STERILIZED DOWN, POLYESTER FIBRE, POLYESTER FIBRE COVER
- **BASE-FRAME 2807LV:**
SOLID OAKWOOD
- **LEGS COVER 2807CV:**
THERMOPLASTIC MATERIAL: PAINTED OR CHROMED
- **FERRULES:**
THERMOPLASTIC MATERIAL
- **COVER:**
FABRIC OR LEATHER
- **RELATED SEARCHES:**
[CHAISELONGUE](#) – [MODERN LIVING ROOM](#) – [MODERN FURNITURE](#) - [LIVING ROOM CHAISE LONGUE](#) – [LEATHER CHAISE LONGUE](#)

FEBO

TECHNICAL DRAWINGS

2807CT

2807LT



2807T

