

MUSA



PRODUCT INFO

DESIGNER: ANTONIO CITTERIO

TYPOLOGY: CHAIRS

COLLECTION: MAXALTO

YEAR: 2008

DESCRIPTION

THE SAME LINE AND STRUCTURE FOR THREE KINDS OF CHAIRS: THE CLASSIC CHAIR, THE LITTLE ARMCHAIR, AND THE TALL STOOL DESIGNED FOR THE MODERN KITCHEN, JUST AS IMPORTANT AS THE ACTUAL DINING ROOM. FINISHES: GREY OR BROWN OAK, BRUSHED LIGHT OR BLACK OAK.

MAXALTO

MUSA

TECHNICAL INFORMATION

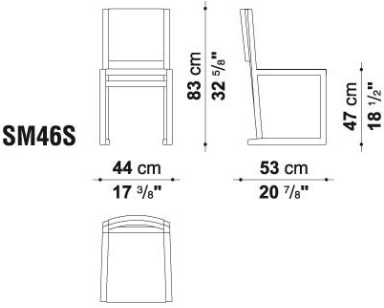
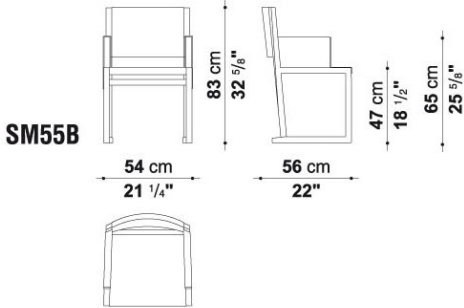
- **SEAT AND BACK:**
MULTILAYERED WOOD PANEL, SHAPED POLYURETHANE OF DIFFERENT DENSITY, POLYESTER FIBRE COVER
- **FRAME:**
SOLID OAKWOOD
- **FERRULES:**
PLASTIC MATERIAL, FELT
- **COVER:**
FABRIC OR LEATHER

MUSA

TECHNICAL DRAWINGS

SM55B

SM46S



SM46G

