

BEETLE SOFA FULLY UPHOLSTERED // STEEL BASE, 4 LEGS CONICAL

GAMFRATESI COLLECTION

Designed by GamFratesi

PRODUCT

COLORS



// Black

// Black chrome

// Brass

DESCRIPTION

Taking its inspiration from the Beetle Lounge Chair, the elongated Beetle Sofa has a rounded, protective outer shell combined with a soft inside – just like a Beetle. The 2-seater Beetle Sofa plays with the contrast between the enveloping outer shell and a soft, inviting interior which encourage to be seated. The characteristic look is enhanced by the delicate, slightly conical legs, in either black, brass or black-chrome, giving its light expression. The shell is 14 mm thick and the sofa is always fully upholstered in fabric or leather.

VERSION - FULLPHOLSTERED

RAL codes are indicative.

- Fully upholstered in fabric/leather / Black painted base // - / RAL 9005, gloss level 3-5
- Fully upholstered in fabric/leather / Black chrome base
- Fully upholstered in fabric/leather / Brass base

CHAIR VERSION

Order item - look for part number in the pricelist.
The series consists of the following:

- BEETLE CHAIR - Steel base with conical legs**
- BEETLE CASTER CHAIR - Steel base with castors**
- BEETLE BAR CHAIR 75CM - Steel base with conical legs**
- BEETLE COUNTER CHAIR 65CM - Steel base with conical legs**
- BEETLE FOOTSTOOL - Steel base with conical legs**
- BEETLE BAR STOOL 75 CM - Steel base with conical legs**
- BEETLE COUNTER STOOL 65 CM - Steel base with conical legs**
- BEETLE DINING STOOL 45 CM - Steel base with conical legs**
- BEETLE SOFA - Steel base with conical legs**

FACTS

MEASUREMENT - L x W x H mm

Sofa width: 1400 mm
Seat depth: 530 mm
Sofa depth: 805 mm
Sofa height: 790 mm
Sitting height: 360 mm
Shell thickness: 14 mm

Frame thickness: Ø19 - Ø14 mm

WEIGHT ITEM

PACKAGING TYPE

Cardboard box

PACKAGING MEASUREMENT - L x W x H CM

L:59 x W:55 x H:120 cm

WEIGHT PACKAGING - MATERIAL TYPE

WEIGHT PACKAGING - TOTAL

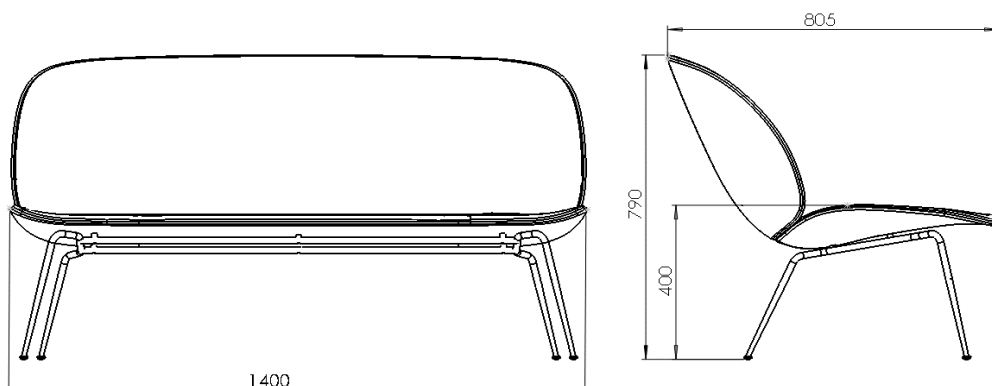
NUMBER OF PARCELS

1 pcs.

UPHOLSTERING - W X L

- Chair fabric: 140 cm x 5,9 m
- Fabric piping: 140 cm x 1,42 m

HR5050, 190 N, 50 kg/m³, 35 mm
HR3737, 140 N, 36 kg/m³, 5 mm



Designed by GamFratesi

ACCESSORIES

- PLASTIC GLIDERS ARE STANDARD.
- FELT GLIDERS ON REQUEST.

CLEANING AND MAINTENANCE

For cleaning the upholstered surface, first try to brush off the dirt gently. If this is not enough then vacuum the surface.

If further cleaning of the padding is needed, a stain remover is recommended. The cleaning has to be gentle and must always be tested on the most invisible area of the surface before the actual cleaning. Avoid blotches by gentle, circular rubbing towards the stain.

To avoid stains, quickly remove the dirt with a piece of absorbing household wipe and clean with water and colourless washing-up liquid.

Do not use the following products for the padding:

- Undiluted cleaning liquids.
- Bleach.
- Ammoniac.
- Soap for hard surfaces.

For dusting and light cleaning of the frame use a soft, dry cloth.

For further cleaning of the frame, use a soft cloth that is firmly wrung in clean water for gently wiping the surface, and then immediately use a dry cloth to wipe the surface again.

If more thorough cleaning is necessary, use a mild detergent or washing-up liquid dissolved in water on a firmly wrung cloth to wipe the seat. Afterwards, repeat the process with clean water as described above.

Polish with a soft cloth after wiping.

Do not use materials for maintenance that:

- Contain abrasive agents.
- Are basic, acidiferous or organic.

For the best maintenance of the product, protect it against sunlight and heat, and try to keep it away from moisture, grease and other dirt.

Furthermore, protect the surfaces against sharp objects and other that might scratch.

ENVIRONMENT

Parts can be separated and sorted for recycling.

Disposal of plastic type PP may be done with incineration of waste.

TESTS

Foam is fire retardant according to California Technical Bulletin 117.

Foam according to BS 5852, Crip 5, is available on request

CERTIFICATION AND LABELS

-