

KANJI

Denis Guidone, 2017

Kanji is a family of lighting elements that reinterprets traditional Oriental portable lanterns in a contemporary key. Available in tabletop and ceiling models, it draws inspiration from Chinese porcelain from the Ming dynasty. The hand-blown glass diffuser, in frosted white and translucent smoke, is adorned with a pleated surface decoration. A Led ring runs inside the structure and magically illuminates the diffuser. Evocative of the Far East not only in form but in name (kanji are characters of Chinese origin used in Japanese writing in conjunction with the hiragana and katakana syllabaries), it is designed to be used alone or in pairs, with each form amplifying the aesthetic power of the other.



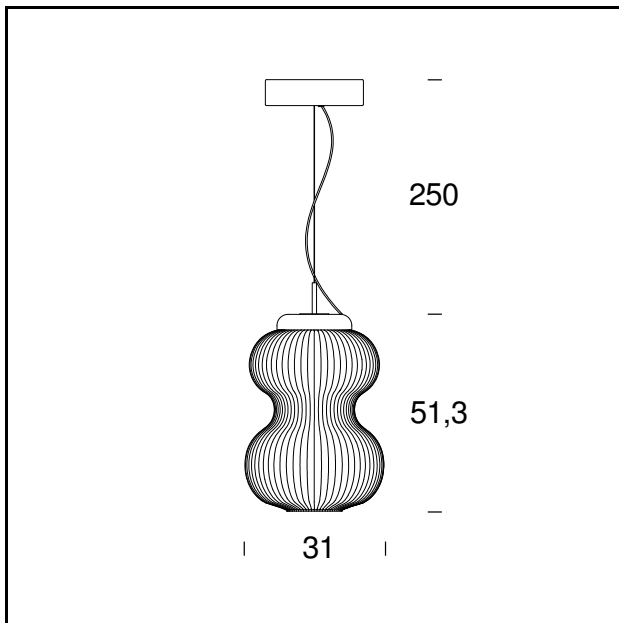
RELATED PRODUCTS



KANJI

Table Lamp

TECHNICAL SHEET



MODEL NAME: Kanji suspension lamp

CODE: 4386NN/..

DIMENSIONS: Ø 31 x 51,3 + 250

MATERIALS: Glass, metal

COLORS

● Grey Fumè

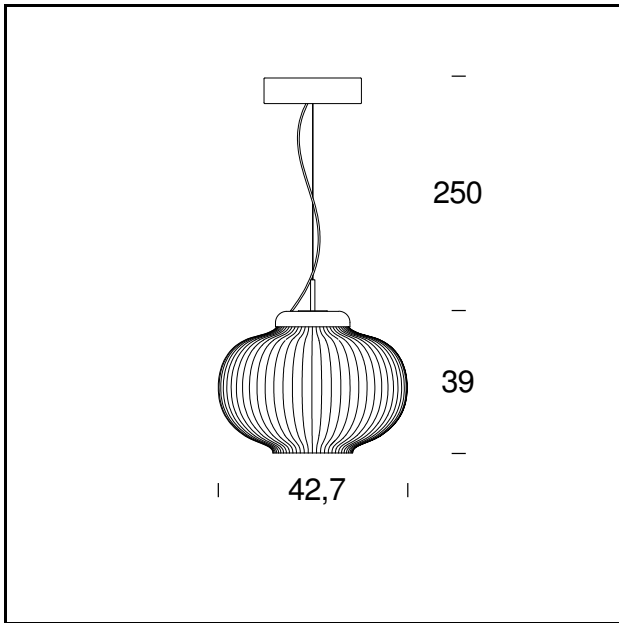
○ White

BULB: 10W Led (2700K, CRI>80, Lumen 900) + 4W Led (2700K, CRI>80, Lumen 450) - direct light emission

DIMMER: Dimmer

CERTIFICATIONS AND SYMBOLS:

CE IP20 *Classe II*



MODEL NAME: Kanji suspension lamp

CODE: 4388NN/..

DIMENSIONS: Ø 42,7 x 39 + 250

MATERIALS: Glass, metal

COLORS

● Grey Fumè

○ White

BULB: 10W Led (2700K, CRI>80, Lumen 1000)

DIMMER: Dimmer

CERTIFICATIONS AND SYMBOLS:

CE IP20 *Classe II*

Subject to technical modifications and modifications to content