

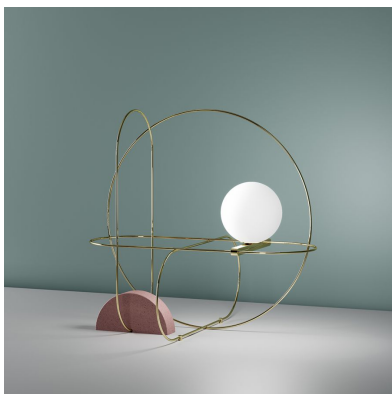
# SETAREH

Francesco Librizzi, 2017

This is the name of the family of lighting fixtures that Francesco Librizzi, a young Sicilian architect working in Milan, has designed for the first time for FontanaArte. Setareh was born of the idea of giving form to light. The lamp is composed of a sphere in hand-blown white satin glass, magically suspended within a thin metal structure. The play of circular masses and trajectories generates a balanced design of gravitational dynamics. The light from the sphere is diffused into the surrounding space, illuminating the frame. The reflections of the metal render the luminous field visible, space influenced by light, by its aura. The result is a collection of lighting elements, available in tabletop and suspension versions, of extraordinary poetic grace. The table version is available in two models while the suspension version comes in several variants: bare, with only the frame and glass sphere (also available with three spheres), with a diffuser in curved white glass (diameter 45, 65, 85 cm), or with a painted metal disc in white or black (diameter 45, 65, 85, 100 cm).



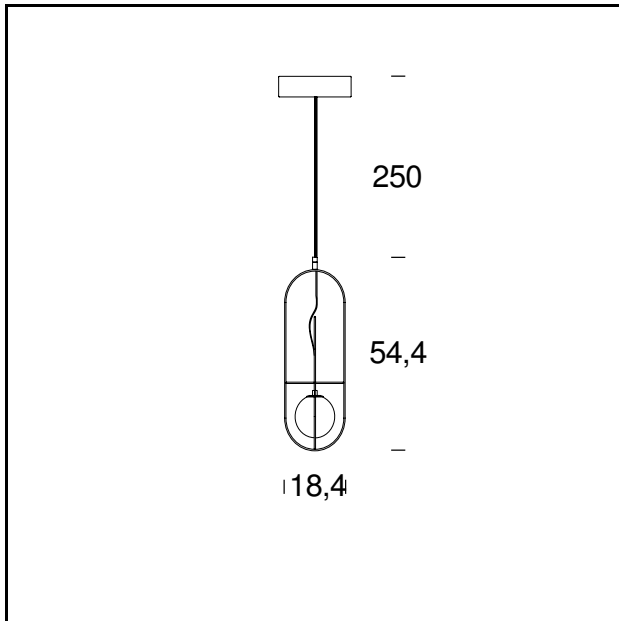
## RELATED PRODUCTS



## SETAREH

*Table Lamp*

## TECHNICAL SHEET



**MODEL NAME:** Setareh

**CODE:** 4380..

**DIMENSIONS:** Ø 18,4 x 19,4 x 54,4 cm + 250

**MATERIALS:** Glass, metal

### COLORS

● Chrome

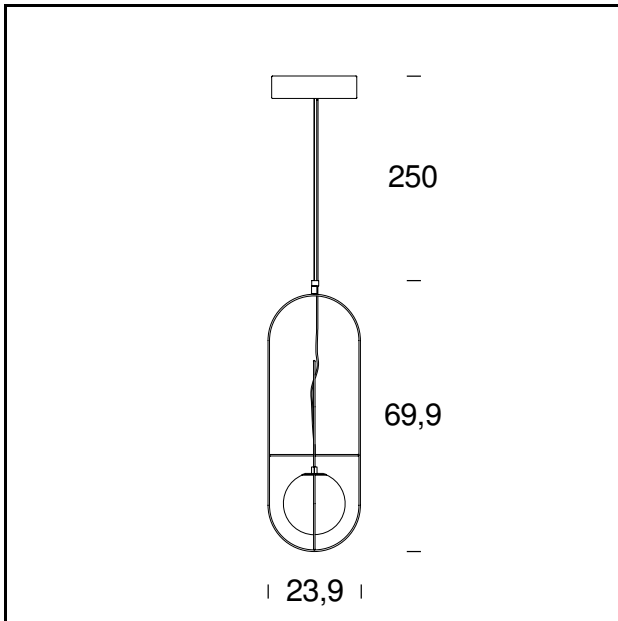
● Gold

**BULB:** 12W Led (2700K, CRI>80, Lumen 1550)

**DIMMER:** Dimmable with light dimmer, not supplied

### CERTIFICATIONS AND SYMBOLS:

CE IP20 *Classe II* 



**MODEL NAME:** Setareh

**CODE:** 4380/1..

**DIMENSIONS:** Ø 23,9 x 24,9 x 69,9 cm + 250

**MATERIALS:** Glass, metal

**COLORS**

● Chrome

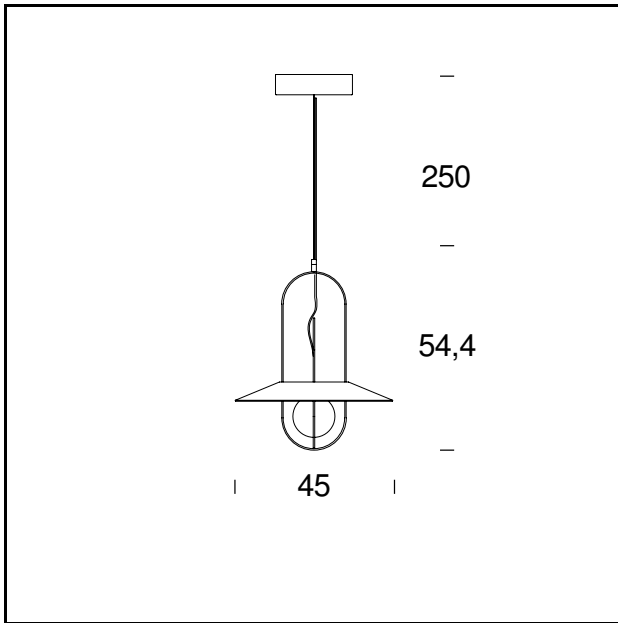
● Gold

**BULB:** 17W Led (2700K, CRI>80, Lumen 2100)

**DIMMER:** Dimmable with light dimmer, not supplied

**CERTIFICATIONS AND SYMBOLS:**

CE IP20 *Classe II*



**MODEL NAME:** Setareh

**CODE:** 4381.. + V4381/0..

**DIMENSIONS:** Ø 45 x 54,4 cm + 250

**MATERIALS:** Glass, metal

## COLORS

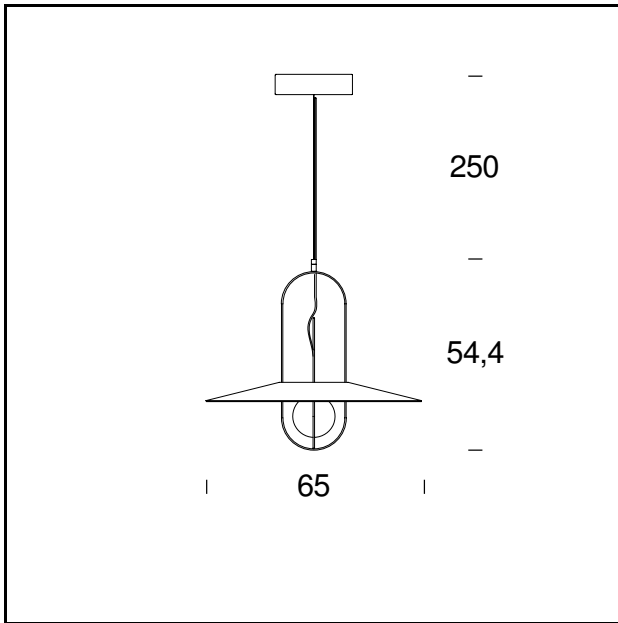
- Chrome/Black
- Chrome/White
- Gold/Black
- Gold/White

**BULB:** 12W Led (2700K, CRI>80, Lumen 1550)

**DIMMER:** Dimmable with light dimmer, not supplied

## CERTIFICATIONS AND SYMBOLS:





**MODEL NAME:** Setareh

**CODE:** 4381.. + V4381..

**DIMENSIONS:** Ø 65 x 54,4 cm + 250

**MATERIALS:** Glass, metal

## COLORS

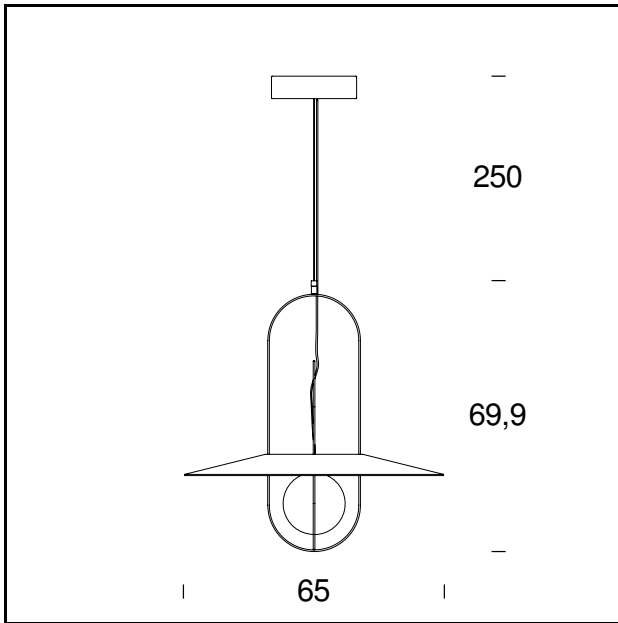
- Chrome/Black
- Chrome/White
- Gold/Black
- Gold/White

**BULB:** 12W Led (2700K, CRI>80, Lumen 1550)

**DIMMER:** Dimmable with light dimmer, not supplied

## CERTIFICATIONS AND SYMBOLS:









**MODEL NAME:** Setareh

**CODE:** 4381/1.. + V4381/1..

**DIMENSIONS:** ø 65 x 69,9 cm + 250

**MATERIALS:** Glass, metal

## COLORS

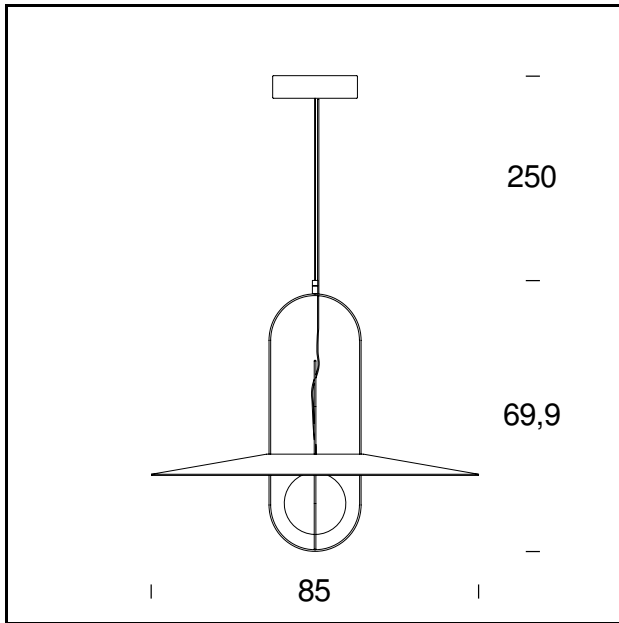
-  Chrome/Black
-  Chrome/White
-  Gold/Black
-  Gold/White

**BULB:** 17W Led (2700K, CRI>80, Lumen 2100)

**DIMMER:** Dimmable with light dimmer, not supplied

## CERTIFICATIONS AND SYMBOLS:





**MODEL NAME:** Setareh

**CODE:** 4381/1.. + V4381/2..

**DIMENSIONS:** ø 85 x 69,9 cm + 250

**MATERIALS:** Glass, metal

## COLORS

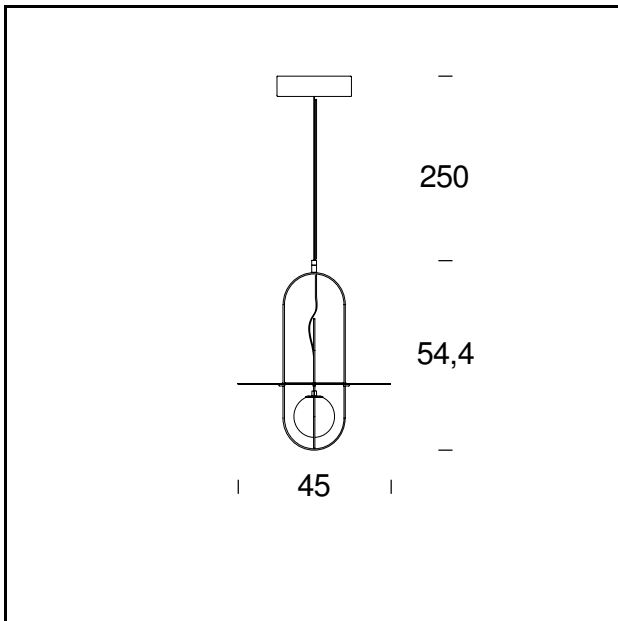
- Chrome/Black
- Chrome/White
- Gold/Black
- Gold/White

**BULB:** 17W Led (2700K, CRI>80, Lumen 2100)

**DIMMER:** Dimmable with light dimmer, not supplied

## CERTIFICATIONS AND SYMBOLS:





**MODEL NAME:** Setareh

**CODE:** 4381.. + D4381/0..

**DIMENSIONS:** ø 45 x 54,5 cm + 250

**MATERIALS:** Glass, metal

## COLORS

● Chrome/Black

● Chrome/White

● Gold/Black

● Gold/White

**BULB:** 12W Led (2700K, CRI>80, Lumen 1550)

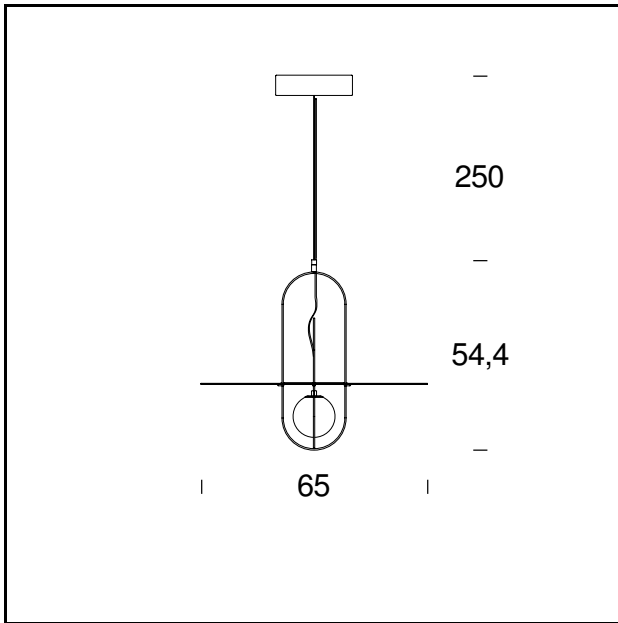
**DIMMER:** Dimmable with light dimmer, not supplied

## CERTIFICATIONS AND SYMBOLS:

CE IP20 *Classe II*











**MODEL NAME:** Setareh

**CODE:** 4381.. + D4381..

**DIMENSIONS:** ø 65 x 54,4 cm + 250

**MATERIALS:** Glass, metal

## COLORS

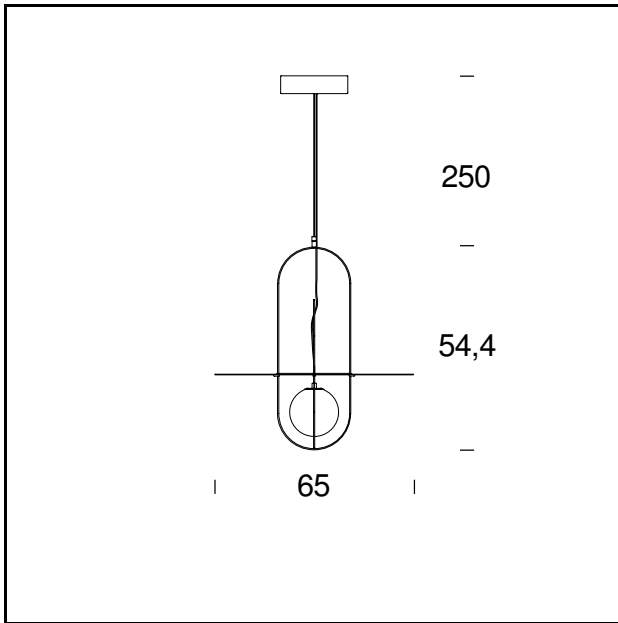
-  Chrome/Black
-  Chrome/White
-  Gold/Black
-  Gold/White

**BULB:** 12W Led (2700K, CRI>80, Lumen 1550)

**DIMMER:** Dimmable with light dimmer, not supplied

## CERTIFICATIONS AND SYMBOLS:









**MODEL NAME:** Setareh

**CODE:** 4381/1.. + D4381/1..

**DIMENSIONS:** ø 65 x 54,4 cm + 250

**MATERIALS:** Glass, metal

## COLORS

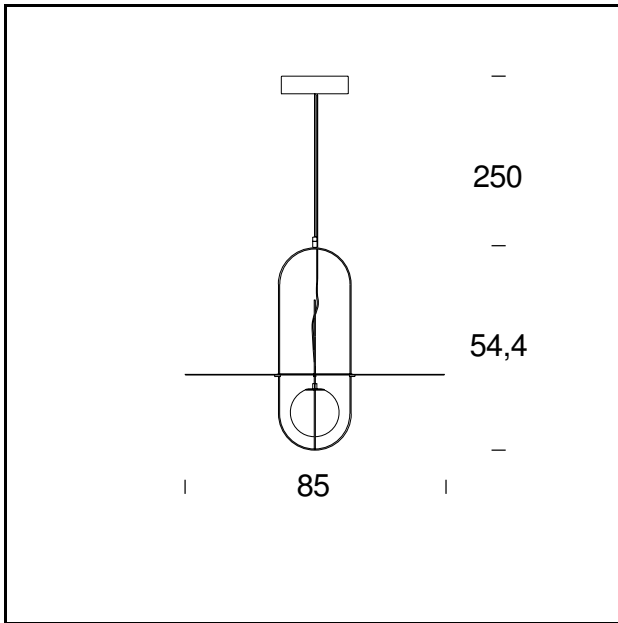
-  Chrome/Black
-  Chrome/White
-  Gold/Black
-  Gold/White

**BULB:** 17W Led (2700K, CRI>80, Lumen 2100)

**DIMMER:** Dimmable with light dimmer, not supplied

## CERTIFICATIONS AND SYMBOLS:





**MODEL NAME:** Setareh

**CODE:** 4381/1.. + D4381/2..

**DIMENSIONS:** ø 85 x 54,4 cm + 250

**MATERIALS:** Glass, metal

## COLORS

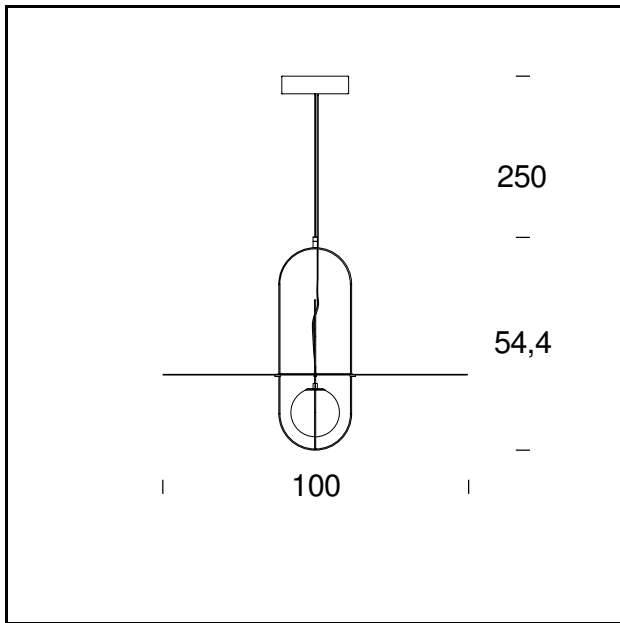
- Chrome/Black
- Chrome/White
- Gold/Black
- Gold/White

**BULB:** 17W Led (2700K, CRI>80, Lumen 2100)

**DIMMER:** Dimmable with light dimmer, not supplied

## CERTIFICATIONS AND SYMBOLS:





**MODEL NAME:** Setareh

**CODE:** 4381/1.. + D4381/3

**DIMENSIONS:** ø 100 x 54,4 cm + 250

**MATERIALS:** Glass, metal

## COLORS

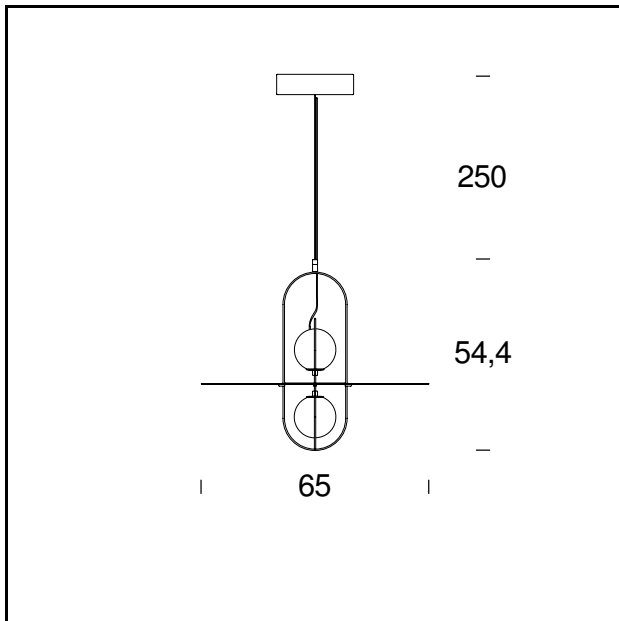
- Chrome/Black
- Chrome/White
- Gold/Black
- Gold/White

**BULB:** 17W Led (2700K, CRI>80, Lumen 2100)

**DIMMER:** Dimmable with light dimmer, not supplied

## CERTIFICATIONS AND SYMBOLS:









**MODEL NAME:** Setareh

**CODE:** 4382.. + D4381..

**DIMENSIONS:** Ø 65 x 54,4 cm + 250

**MATERIALS:** Glass, metal

## COLORS

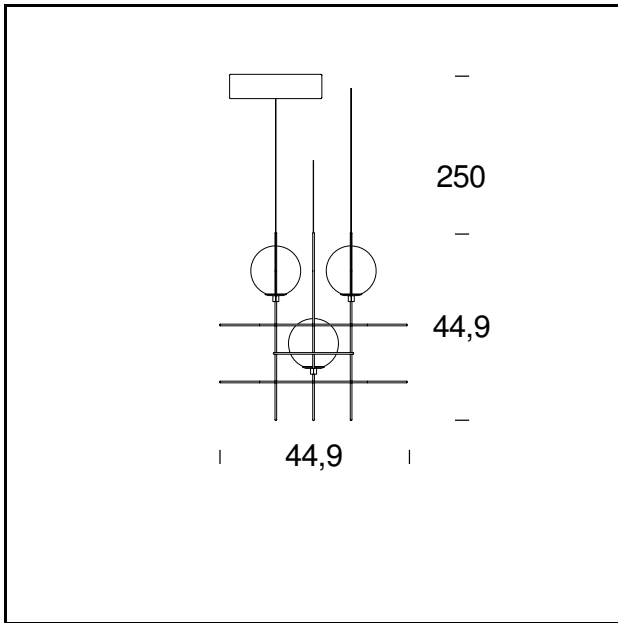
-  Chrome/Black
-  Chrome/White
-  Gold/Black
-  Gold/White

**BULB:** 2x8W Led (2700K, CRI>80, Lumen 2200)

**DIMMER:** Dimmable with light dimmer, not supplied

## CERTIFICATIONS AND SYMBOLS:

 IP20 *Classe II* 



**MODEL NAME:** Setareh

**CODE:** 4383..

**DIMENSIONS:** Ø 44,9 x 44,9 cm + 250

**MATERIALS:** Glass, metal

**COLORS**

● Chrome

● Gold

**BULB:** 3x6W Led (2700K, CRI>80, Lumen 2500)

**DIMMER:** Dimmable with light dimmer, not supplied

**CERTIFICATIONS AND SYMBOLS:**



Subject to technical modifications and modifications to content