
Astrum

TABLES

Antonio Citterio

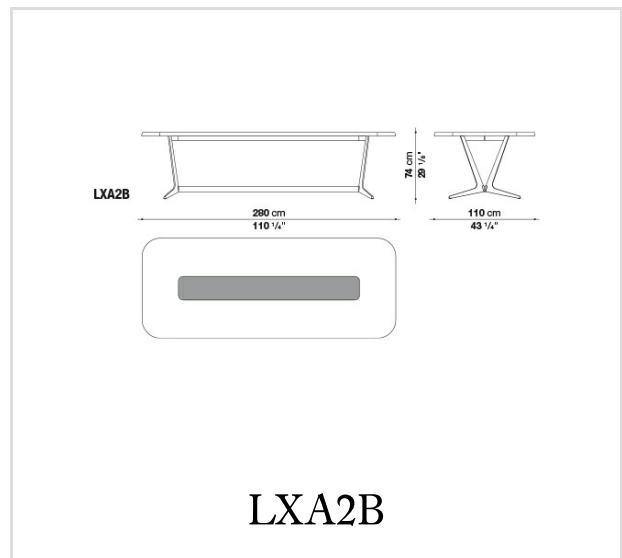
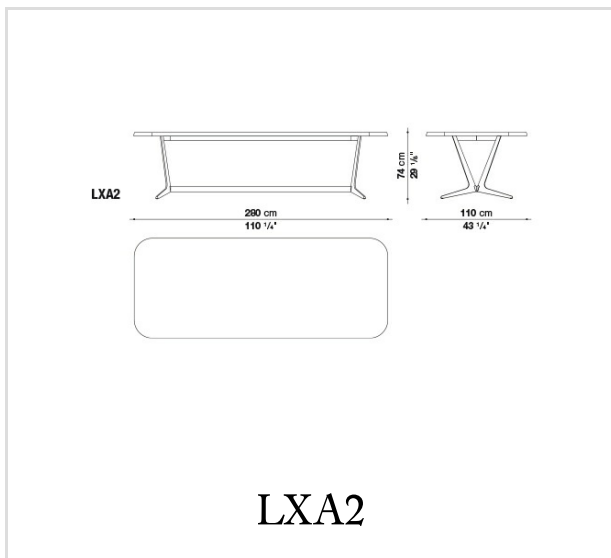
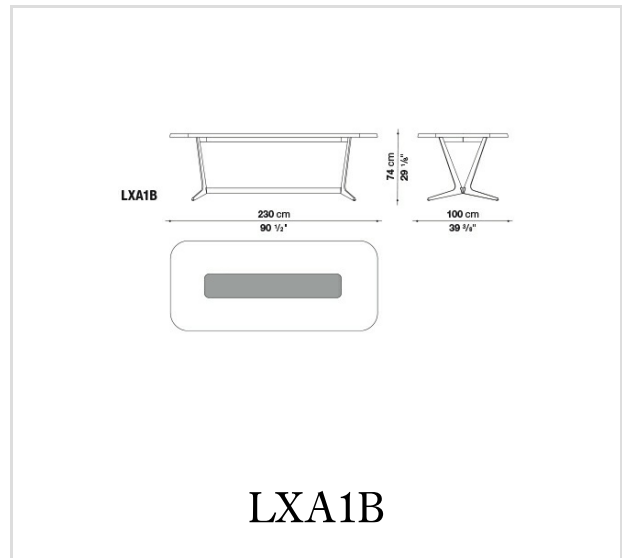
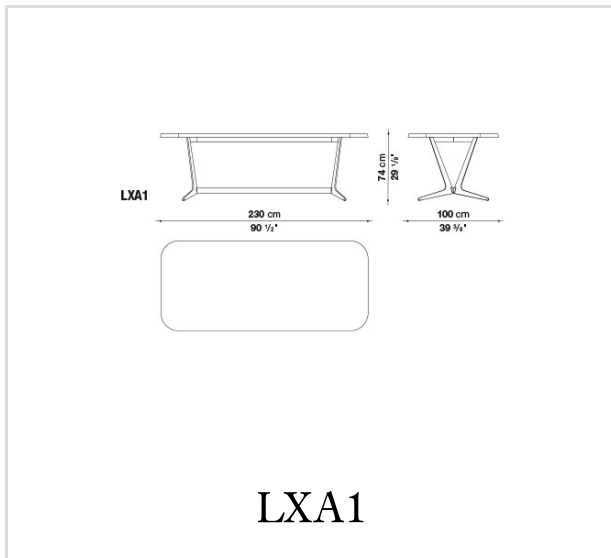


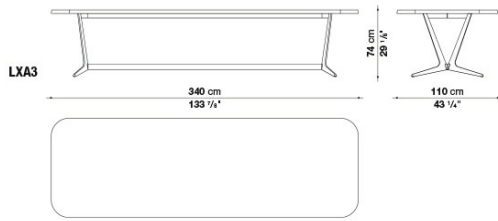
Description

Astrum is the new table collection, rectangular and round, distinguished by the special "sawhorse" base-frame. The frame is made of a single die-cast aluminium support with graphite or amber painted finish that, based on the table shape, is composed of two or three elements connected by a crosspiece and forming the base-frame for rectangular tables (width cm 100 and three lengths cm 230, 280 and 340), while three elements connected at the base of a steel ring establish the support for round tables (diameter cm 165 and 200). The triangular section of the support, raised from the ground with a slight tilt, gives the structure both lightness and solidity. The tables tops are provided in various finishes of wood and marble: brushed light, grey, brushed black and smoked oak, or in natural wenge with the possibility of a central marble section; white Calacatta, black Marquinia, green Guatemala and Emperador marble, all with a glossy finish, giving the table a more elegant look. Only with the round versions, it is possible to insert a swivel tray into the wooden and marble finishes.

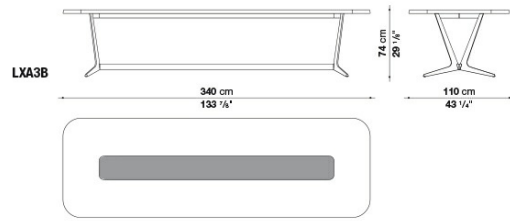
Technical informations

Technical drawings

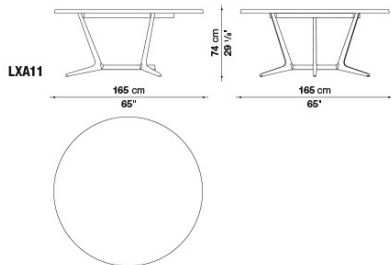




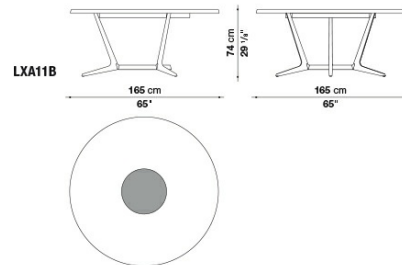
LXA3



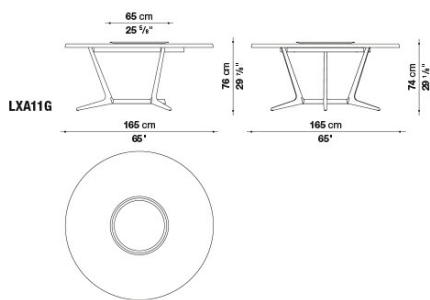
LXA3B



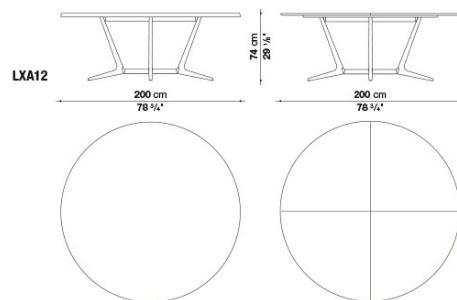
LXA11



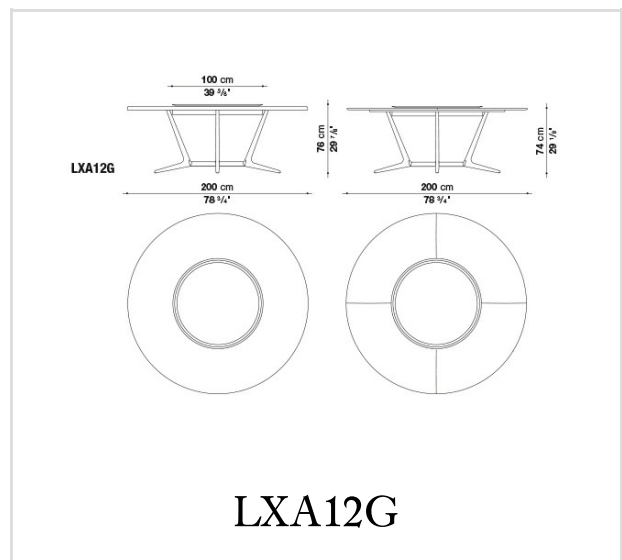
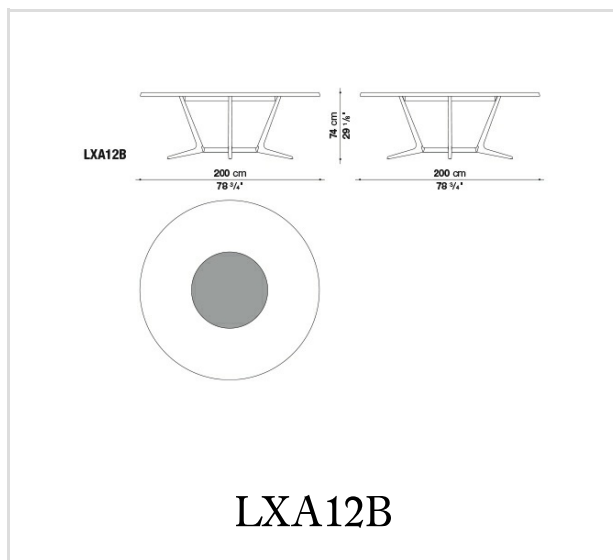
LXA11B



LXA11G



LXA12



B&B Italia reserves the right to make technological and aesthetic improvements to its models, including changes to the sizes and materials, without notice. The technical drawings do not define the details of the product. The measurements shown are indicative and may undergo changes. In particular, the dimensions relevant to the padded parts are subject to usage tolerances over time caused by the normal adjustment of the padding. For the specific information, please contact the dealer closest to you.