
Alex

TABLES

Antonio Citterio

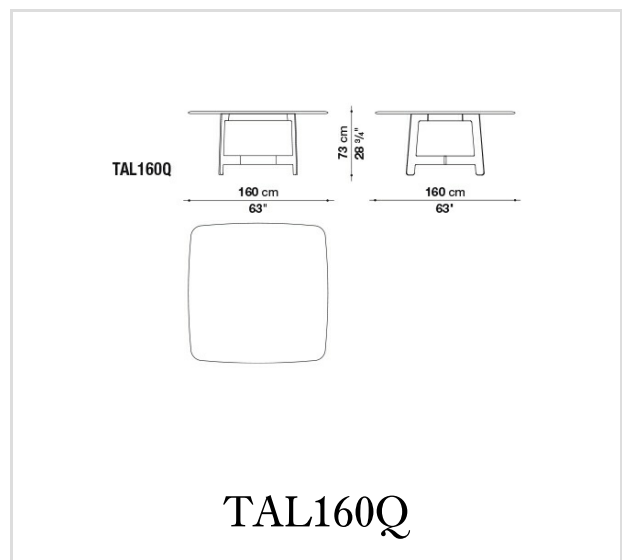
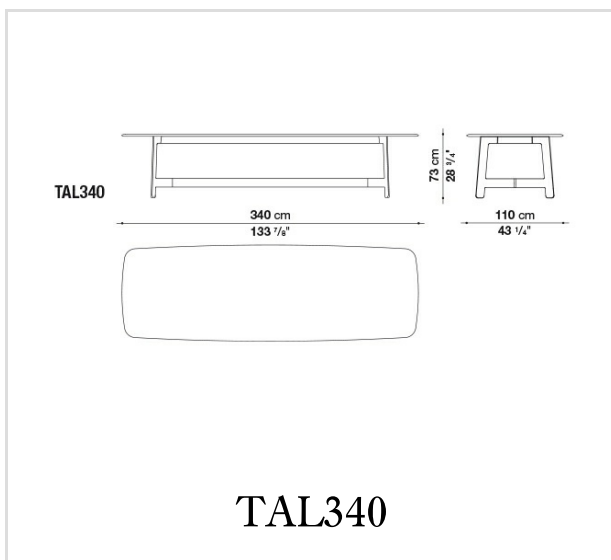
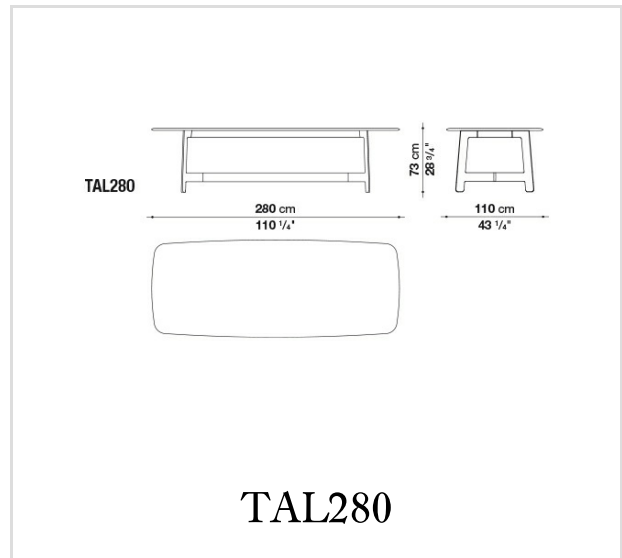
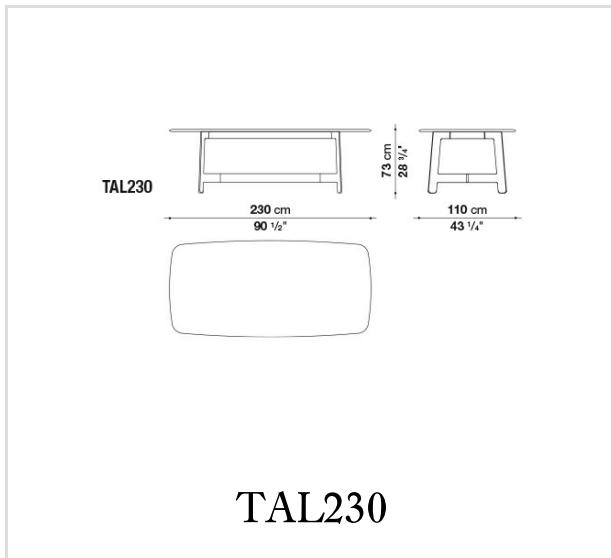


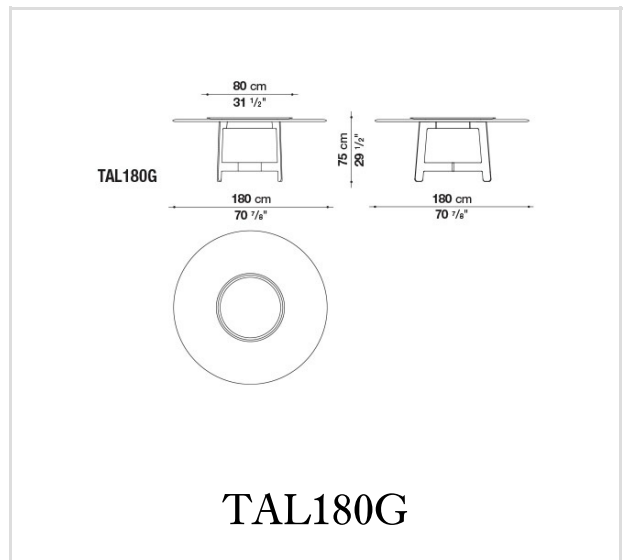
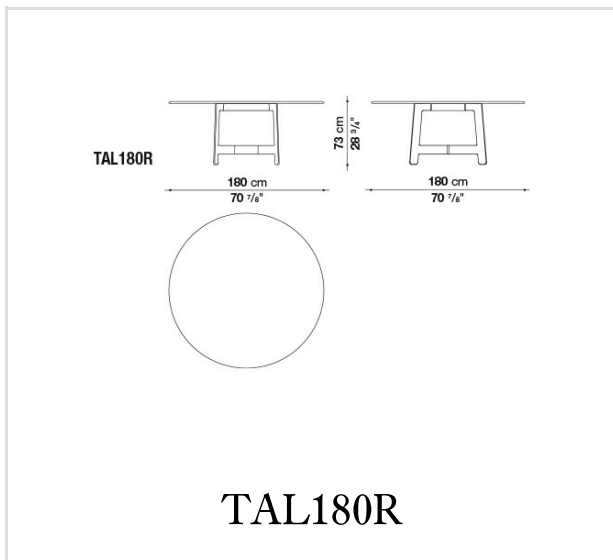
Description

Alex is the new series of tables in various sizes, distinguished by the pronounced design of the sectional frames in large, lenticular shapes. Three shapes and different sizes: rectangular in three lengths (cm 230, 280 and 340 and width cm 110), round (diameter cm 180) and square (cm 160). The “sawhorse” frame connected with the crosspiece is made of hard polyurethane with metallic drawn inserts in glossy or satin colours of the B&B Italia collection. There is a wide range of finishes of the tops, from brushed light, grey, brushed black, smoked oak, glossy fris  eucalypt and natural wenge to satin or glossy finishes in sixteen colours, from Marquinia black and Sahara noir marble with glossy polyester finish or Carrara white marble “venatino statuarietto” with matt polyester finish to bronze or grey mirror glass. The round version allows the possibility of positioning at the centre of the table a round swivel tray, made with glossy or satin finishes, in wood or in marble.

Technical information

Technical drawings





B&B Italia reserves the right to make technological and aesthetic improvements to its models, including changes to the sizes and materials, without notice. The technical drawings do not define the details of the product. The measurements shown are indicative and may undergo changes. In particular, the dimensions relevant to the padded parts are subject to usage tolerances over time caused by the normal adjustment of the padding. For the specific information, please contact the dealer closest to you.