
Fat-Sofa

ARMCHAIRS

Patricia Urquiola



Description

Round, soft and sinuous shapes: this series of floor-standing seats without a metal base offers a new expression of comfort. The double-colour versions and those that mix leather and fabric are original with horizontal and vertical surfaces establishing a dialogue with each other through nuances of shades or with stronger contrasts. Once again in B&B Italia's history a product merges original shapes and technological innovation which, in this case, are represented by the use of slow-return viscoelastic foam that gradually adapts itself to the body and its posture.

Technical information

Internal frame:

tubular steel and steel profiles, plastic material

Internal frame upholstery:

Bayfit® (Bayer®) flexible cold shaped polyurethane foam, polystyrene foam, shaped polyurethane of different density, polyester fibre cover

Ottoman upholstery:

Bayfit® (Bayer®) flexible cold shaped polyurethane foam, polystyrene foam, shaped polyurethane, polyester fibre cover

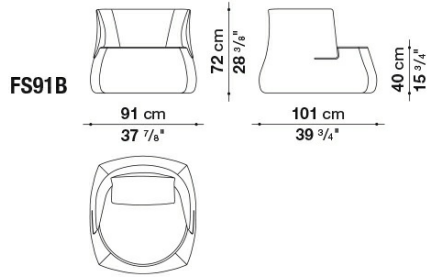
Back cushion (FS55C):

upholstery : down feather + polyester fibre, typology : pillow style

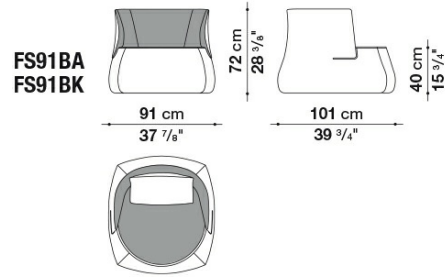
Cover:

fabric or leather

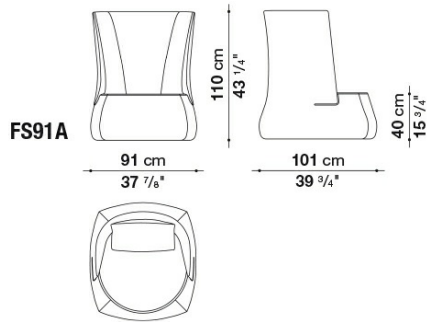
Technical drawings



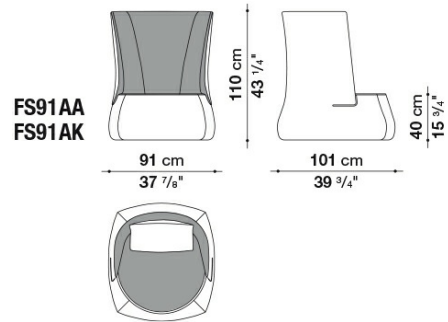
FS91B



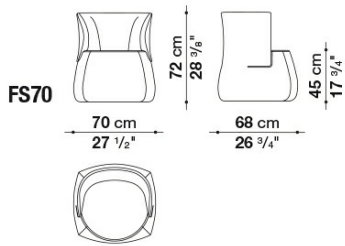
FS91BA_K



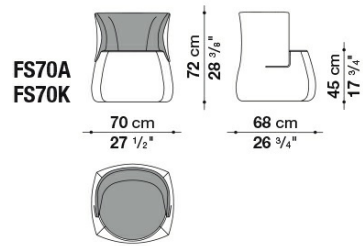
FS91A



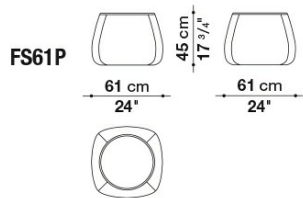
FS91AA_K



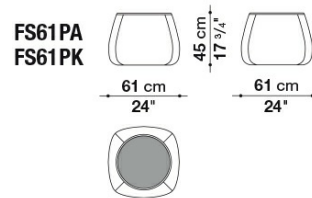
FS70



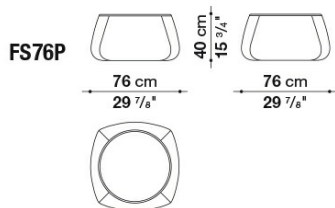
FS70A_K



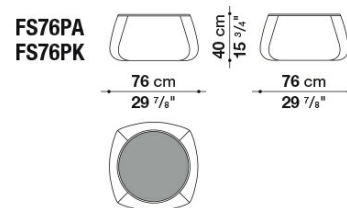
FS61P



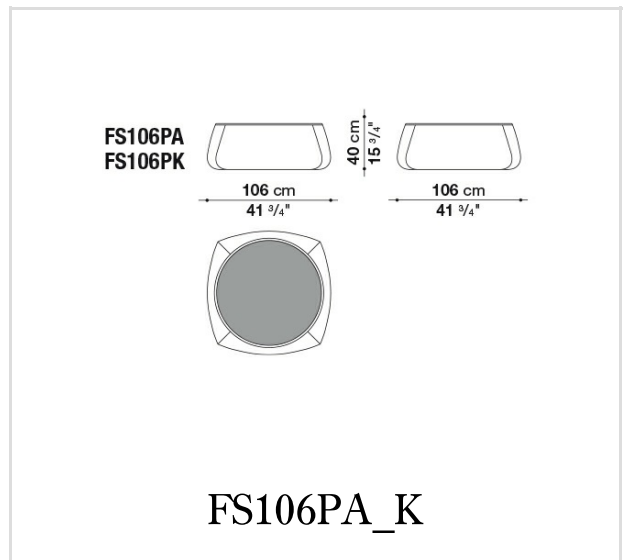
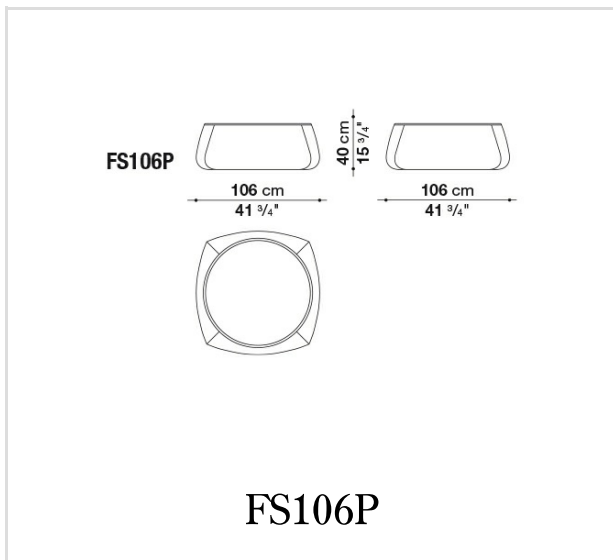
FS61PA_K



FS76P



FS76PA_K



B&B Italia reserves the right to make technological and aesthetic improvements to its models, including changes to the sizes and materials, without notice. The technical drawings do not define the details of the product. The measurements shown are indicative and may undergo changes. In particular, the dimensions relevant to the padded parts are subject to usage tolerances over time caused by the normal adjustment of the padding. For the specific information, please contact the dealer closest to you.