
Seven

TABLES

Jean-Marie Massaud



Description

Three uneven sides are an alternative to the traditional layout. Designed to seat 7, in the formation 3+2+2. The appearance changes depending on the wood or lacquer finish but the pattern of the three-branch structure emerges on the top's surface creating a graphic decoration to contrast with or match the colour of the top.

Technical information

Top:

light MDF wood fibre panel

Top finish:

satin painted or veneered: grey oak, brushed light oak, brushed black oak or smoked oak

Table top insert:

painted MDF wood fibre panel

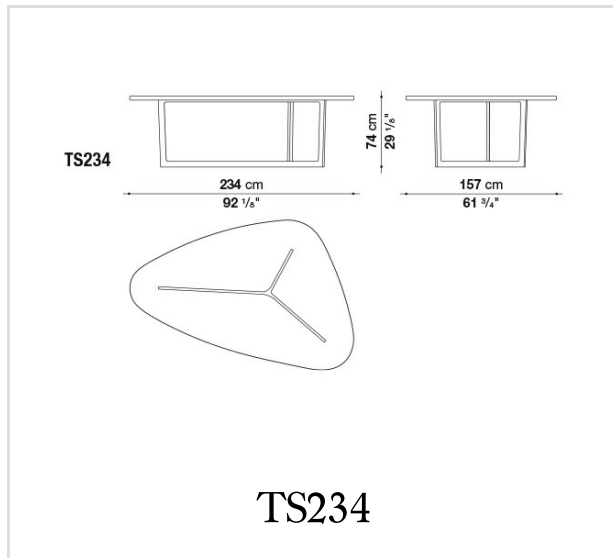
Support frame:

painted tubular steel

Support frame and insert table top finish:

chalk white painted or slate black painted

Technical drawings



B&B Italia reserves the right to make technological and aesthetic improvements to its models, including changes to the sizes and materials, without notice. The technical drawings do not define the details of the product. The measurements shown are indicative and may undergo changes. In particular, the dimensions relevant to the padded parts are subject to usage tolerances over time caused by the normal adjustment of the padding. For the specific information, please contact the dealer closest to you.