
Jens

CHAIRS

Antonio Citterio



Description

Antonio Citterio interprets the classic design of Chinese chairs in a contemporary key, rediscovering the craftsmanship of turned and curved wood, added to leather to make seats and backs that enhance the design. For the Jens chair, designed by Antonio Citterio with armrests in two versions and without armrests, the choice of wood in oak or natural wenge offers different shade variants.

Technical information

Seat

shaped polyurethane and veneered multi-layered wood panel

Frame

solid wood

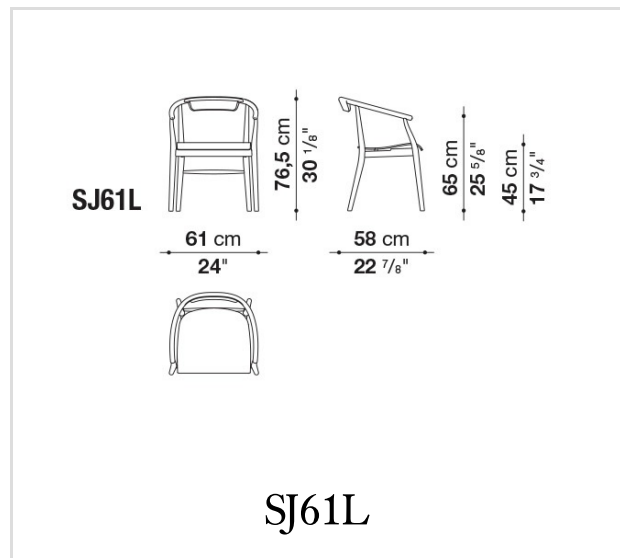
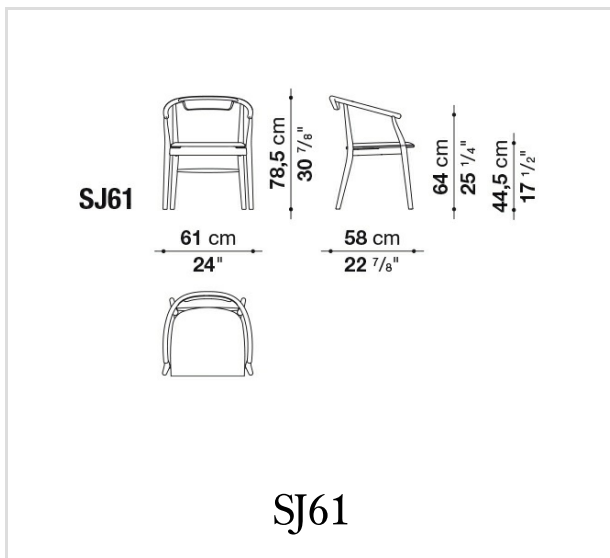
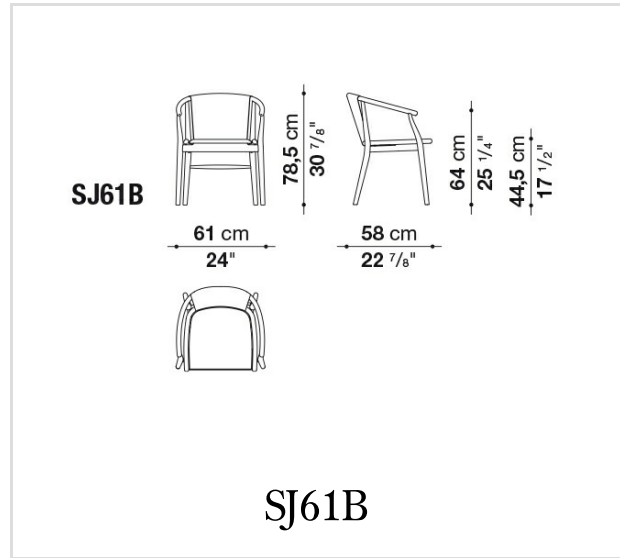
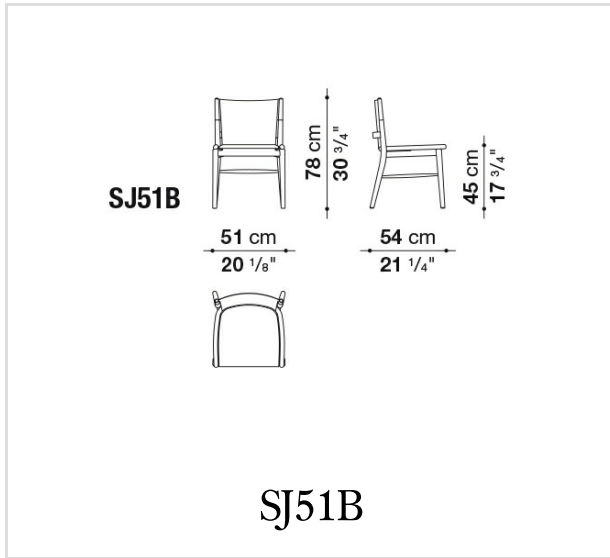
Ferrules and reinforcements

plastic material

Cover

thick leather

Technical drawings



B&B Italia reserves the right to make technological and aesthetic improvements to its models, including changes to the sizes and materials, without notice. The technical drawings do not define the details of the product. The measurements shown are indicative and may undergo changes. In particular, the dimensions relevant to the padded parts are subject to usage tolerances over time caused by the normal adjustment of the padding. For the specific information, please contact the dealer closest to you.