
Husk

CHAIRS

Patricia Urquiola



Description

Comfortable, with a modern combination of base and seat, it picks up the profile of the namesake armchair. The body, which is shaped with a design that cites the capitonné style, conveys a feeling of softness; the cushions, in fabric or leather, fixed with press studs, are distinguished by the quilting. Many colour variants and combinations.

Technical information

Shell:

white, anthracite, brown or tortora high density polyurethane resin (Baydur®)

Shell cover (P1FCN-P1FCN_C-P1GCN-P1GCN_C-P2FC-P3FC-P4GC):

natural, black, dark brown, tortora or ivory thick leather

Upholstery:

polyester fibre, needle polyester fibre section

Support frame:

white painted, black painted or painted black chrome die-cast aluminium

Support frame (P2F-P2FC):

solid wood: grey oak, brushed light oak, brushed black oak or smoked stained oak

Support frame (P3F-P3FC-P4G-P4GC):

white painted, black painted or bright brushed die-cast aluminium

Wheels (P3F-P3FC):

black-grey plastic material for soft surfaces or black plastic material for hard surfaces

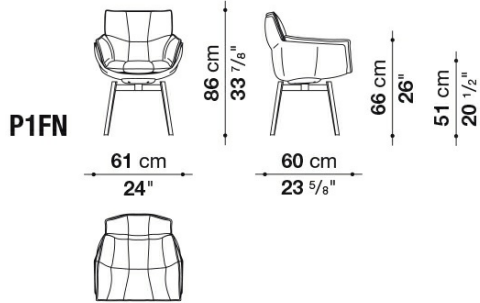
Ferrules:

plastic material

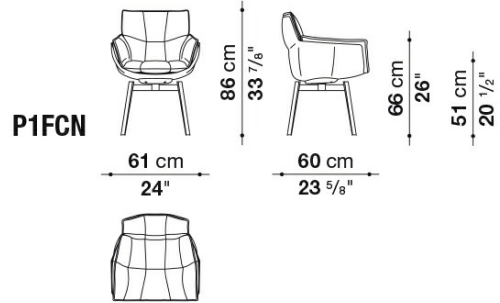
Cover:

fabric or leather

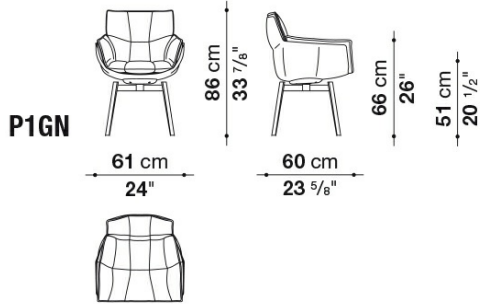
Technical drawings



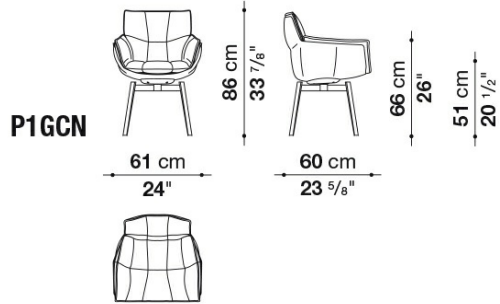
P1FN



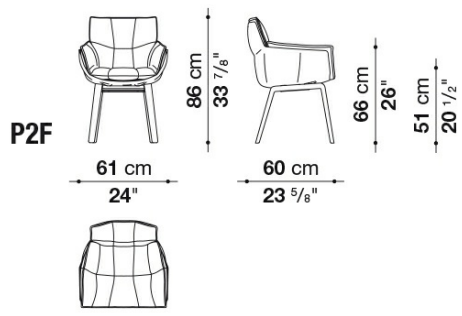
P1FCN



P1GN

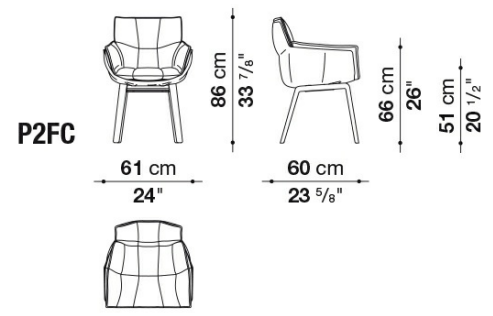


P1GCN



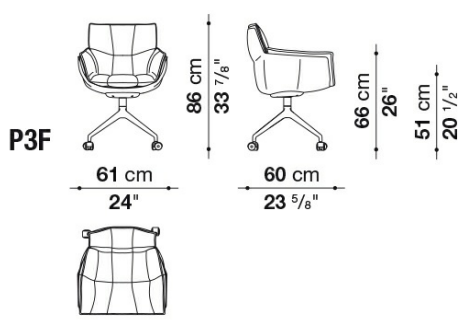
P2F

P2F



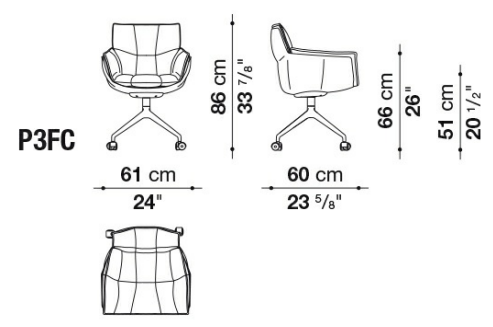
P2FC

P2FC



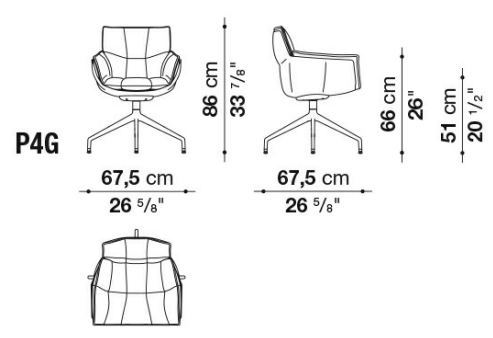
P3F

P3F



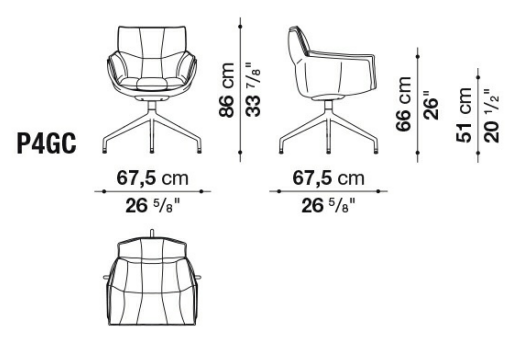
P3FC

P3FC



P4G

P4G



P4GC

P4GC

B&B Italia reserves the right to make technological and aesthetic improvements to its models, including changes to the sizes and materials, without notice. The technical drawings do not define the details of the product. The measurements shown are indicative and may undergo changes. In particular, the dimensions relevant to the padded parts are subject to usage tolerances over time caused by the normal adjustment of the padding. For the specific information, please contact the dealer closest to you.