
Charles

BEDS

Antonio Citterio



Description

It derives from the namesake sofa that can be easily recognised by the famous inverted “L”-shaped foot in bright or painted brushed aluminium. It offers two versions: one with protruding sides compared to the slightly recessed mattress, and one more simple with the sides flush with the mattress. Available also in the variant with wheels.

Technical information

Internal frame:

tubular steel and steel profiles

Internal frame upholstery:

Bayfit® (Bayer®) flexible cold shaped polyurethane foam, polyester fibre cover

External feet:

bronzed nickel painted, bright brushed or painted black chrome die-cast aluminium

Internal feet:

bronzed nickel painted, bright brushed or painted black chrome tubular steel and steel profiles

Wheels support frame:

grey painted steel

Wheels:

white plastic material

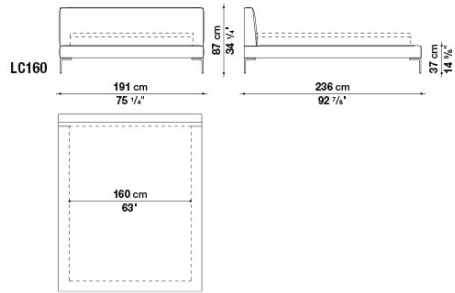
Ferrules:

thermoplastic material

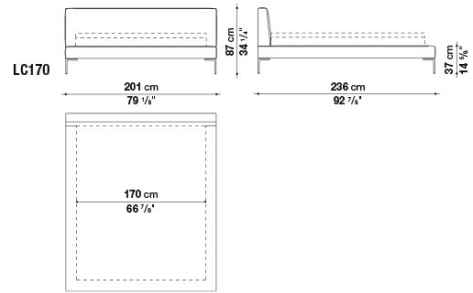
Cover:

fabric or leather

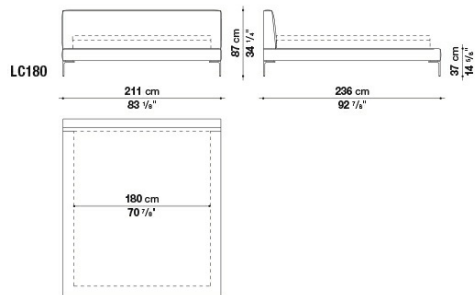
Technical drawings



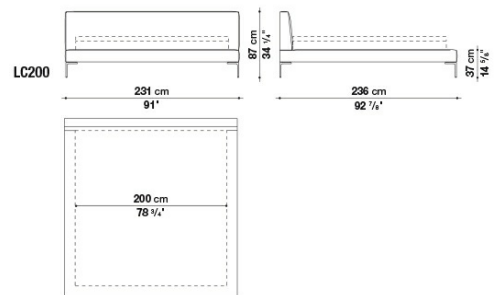
LC160



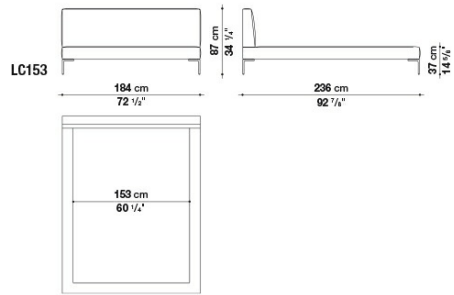
LC170



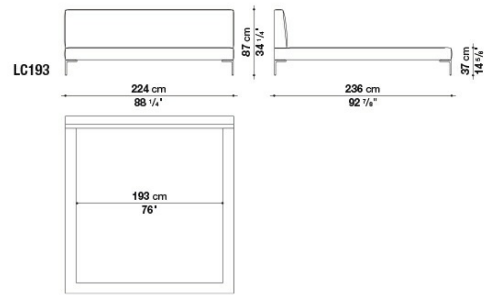
LC180



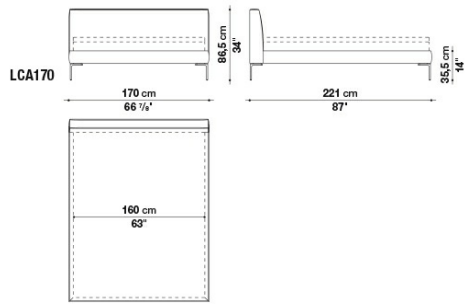
LC200



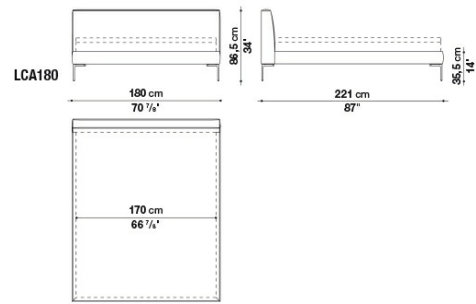
LC153



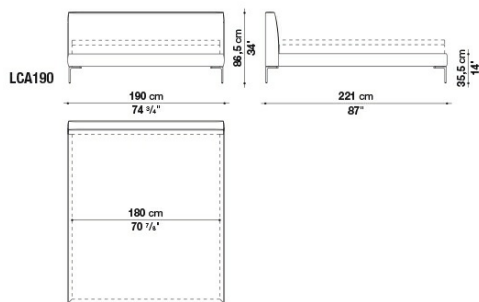
LC193



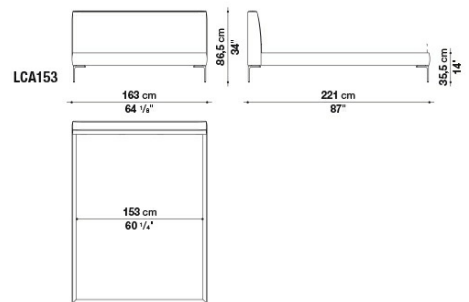
LCA170



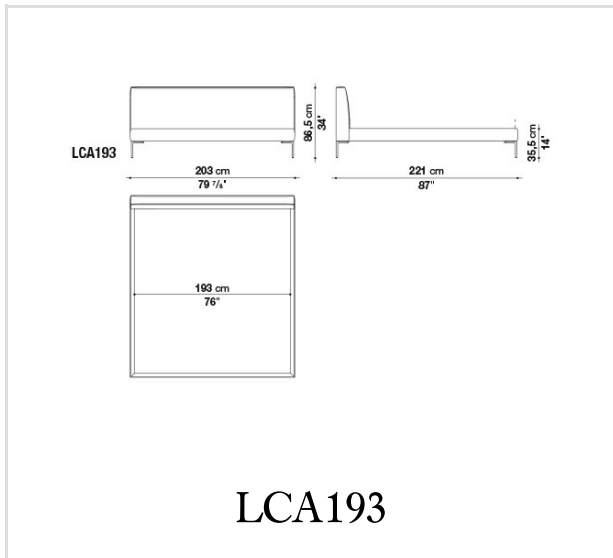
LCA180



LCA190



LCA153



B&B Italia reserves the right to make technological and aesthetic improvements to its models, including changes to the sizes and materials, without notice. The technical drawings do not define the details of the product. The measurements shown are indicative and may undergo changes. In particular, the dimensions relevant to the padded parts are subject to usage tolerances over time caused by the normal adjustment of the padding. For the specific information, please contact the dealer closest to you.