
Caratos

CHAIRS

Antonio Citterio

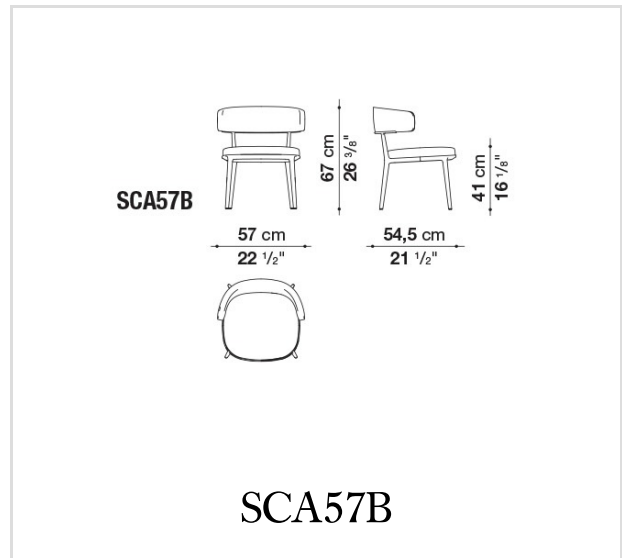
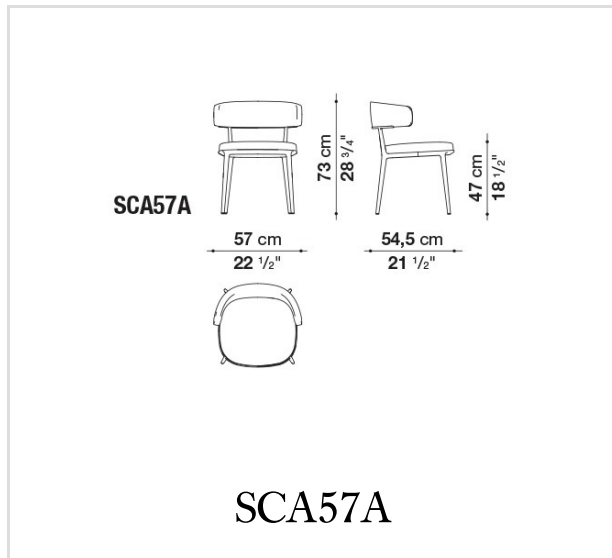


Description

Chairs in two versions, armchairs, ottomans and coffee tables are the new proposals that extend the Caratos series launched last year. These new items both reflect and strengthen the original designs' essential features while softening them by introducing embracing shapes. The light die-cast graphite or amber painted aluminium structure is retained, while padded backrests contribute to the formation of the armrests, creating seating with no postural restrictions at all, encouraging conversation and relations between neighbours. The ottomans and coffee tables echo the design of the frames and are ideal complements to the seats to create conversation areas and social settings.

Technical information

Technical drawings



B&B Italia reserves the right to make technological and aesthetic improvements to its models, including changes to the sizes and materials, without notice. The technical drawings do not define the details of the product. The measurements shown are indicative and may undergo changes. In particular, the dimensions relevant to the padded parts are subject to usage tolerances over time caused by the normal adjustment of the padding. For the specific information, please contact the dealer closest to you.