

BEETLE CHAIR // WOOD BASE

GAMFRATESI COLLECTION

Designed by GamFratesi

PRODUCT



COLORS



Blackstained Beech

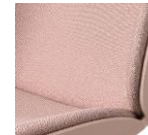
Smoked Oak finish



Oak



Fully upholstered



Front upholstered



Seat upholstered



Unupholstered

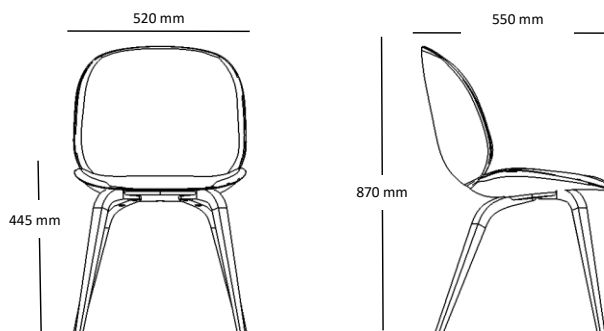
DESCRIPTION

The BEETLE Chair Collection is a chair series in laminated moulded veneer with seat and back in 2 separate parts. The 2 parts are joined together with a steel fitting milled into the 2 shells. The shells are 10 mm thick. The chair is available fully upholstered, front upholstered, seat upholstered or unupholstered.

VERSION

- Fully upholstered in fabric/leather / Blackstained beech base // - / gloss level 20
- Fully upholstered in fabric/leather / Oak base // - / gloss level 20
- Fully upholstered in fabric/leather / Smoked oak finish base // - / gloss level 5
- Front upholstered in fabric/leather / Blackstained beech base // - / gloss level 20
- Front upholstered in fabric/leather / Oak base // - / gloss level 20
- Front upholstered in fabric/leather / Smoked oak finish base // - / gloss level 5
- Seat upholstered in fabric/leather / Blackstained beech base // - / gloss level 20
- Seat upholstered in fabric/leather / Oak base // - / gloss level 20
- Seat upholstered in fabric/leather / Smoked oak finish base // - / gloss level 5
- Unupholstered in fabric/leather / Blackstained beech base // - / gloss level 20
- Unupholstered in fabric/leather / Oak base // - / gloss level 20
- Unupholstered in fabric/leather / Smoked oak finish base // - / gloss level 5

Order item - look for part number in the pricelist.



FACTS

MEASUREMENT - L x W x H mm

Sitting height: 445 mm
 Seat width: 490 mm
 Seat depth: 405 mm
 Seat height: 460 mm
 Back height: 430 mm
 Chair width: 520 mm
 Chair depth: 550 mm
 Chair height: 870 mm

WEIGHT ITEM

Fully upholstered: 7,8 kg
 Front upholstered: 7,1 kg
 Seat upholstered: 6,0 kg
 Unupholstered: 5,1 kg

PACKAGING TYPE

Cardboard box

PACKAGING MEASUREMENT - L x W x H CM

L:59 x W:60 x H:94 cm

WEIGHT PACKAGING - MATERIAL TYPE

- Delivery note: 5 g
- Cardboard box, FEFCO quality EB85BB: 3400 g
- Polybag PE: 200 g
- LD-EPE foam protector: 100 g
- Strapping: 10 g

WEIGHT - TOTAL

Fully upholstered: 11,5 kg
 Front upholstered: 10,8 kg
 Seat upholstered: 9,7 kg
 Unupholstered: 8,8 kg

NUMBER OF PARCELS

1 pcs.

BEETLE CHAIR // WOOD BASE

GAMFRATESI COLLECTION

Designed by GamFratesi

ACCESSORIES

- PLASTIC GLIDERS ARE STANDARD.

ENVIRONMENT

Parts can be separated and sorted for recycling.

Disposal of plastic type PP may be done with incineration of waste.

TESTS

Foam is fire retardant according to California Technical Bulletin 117.

Foam according to BS 5852, Crip 5, is available on request

CERTIFICATION AND LABELS

-

CLEANING AND MAINTENANCE

For cleaning the upholstered surface, first try to brush off the dirt gently. If this is not enough then vacuum the surface.

If further cleaning of the padding is needed, a stain remover is recommended. The cleaning has to be gentle and must always be tested on the most invisible area of the surface before the actual cleaning. Avoid blotches by gentle, circular rubbing towards the stain.

To avoid stains, quickly remove the dirt with a piece of absorbing household wipe and clean with water and colourless washing-up liquid.

Do not use the following products for the padding:

- Undiluted cleaning liquids.
- Bleach.
- Ammoniac.
- Soap for hard surfaces.

For dusting and light cleaning of the frame use a soft, dry cloth.

For further cleaning of the frame, use a soft cloth that is firmly wrung in clean water for gently wiping the surface, and then immediately use a dry cloth to wipe the surface again.

Do not use materials for maintenance that:

- Contain abrasive agents.
- Are basic, acidiferous or organic.

For the best maintenance of the product, protect it against sunlight and heat, and try to keep it away from moisture, grease and other dirt.

Furthermore, protect the surfaces against sharp objects and other that might scratch.

FULLY UPHOLSTERED - W X L

-Chair and piping same fabric: 140 cm x 1,54 m

- Chair fabric: 140 cm x 1,33 m

- Fabric piping: 140 cm x 0,21 m

- Chair leather: 2,88 m²

- Leather piping: 0,26 m²

HR5050, 190 N, 50 kg/m³, 20 mm

HR3010, 45 N, 30 kg/m³, 15 mm

HR3737, 140 N, 36 kg/m³, 5 mm

FRONT UPHOLSTERED - W X L

- Chair fabric: 140 cm x 0,71 m

- Chair leather: 1,39 m²

HR5050, 190 N, 50 kg/m³, 20 mm

HR3010, 45 N, 30 kg/m³, 15 mm

SEAT UPHOLSTERED - W X L

- Seat fabric: 140 cm x 0,64 m

- Seat leather: 0,67 m²

HR5050, 190 N, 50 kg/m³, 20 mm

HR3010, 45 N, 30 kg/m³, 15 mm