

---

# Papilio Shell

CHAIRS

*Naoto Fukasawa*



## Description

Papilio Shell is available in two versions: with polypropylene shell in three colours (white, greige, black) or padded and upholstered in a wide range of fabrics and leathers. Different types of bases give the chair different looks for different uses.

---

## Technical information

### Shell:

white, black or greige polypropylene

### Shell upholstery (SH1I-SH2I-SH3I-SH4I):

Bayfit® (Bayer®) flexible cold shaped polyurethane foam

### Support frame (SH1-SH1I):

white, black, greige painted or bright chromed tubular steel and steel profiles

### Legs (SH2-SH2I):

grey oak, brushed light oak, brushed black oak or smoked stainted oak solid wood

### Support frame (SH3-SH3I-SH4-SH4I):

white, black, greige painted or bright brushed die-cast aluminium

### Wheels (SH3-SH3I):

black-grey plastic material for soft surfaces or black plastic material for hard surfaces

### Double-side ferrules (SH1-SH1I-SH2-SH2I):

plastic material/felt

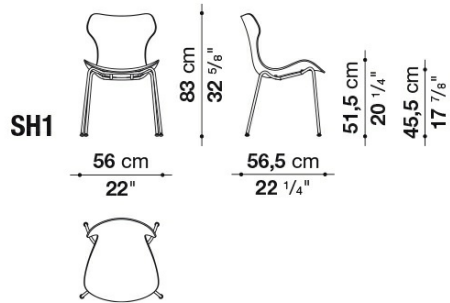
### Double ferrules (SH4-SH4I):

felt or plastic material

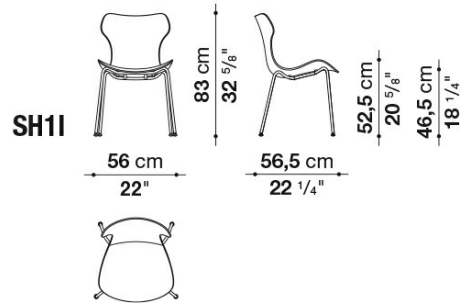
### Cover:

fabric or Gamma leather

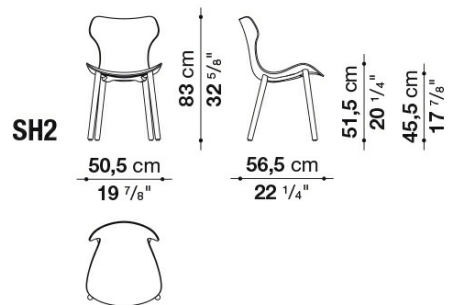
# Technical drawings



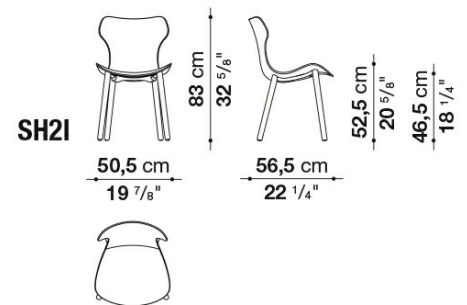
SH1



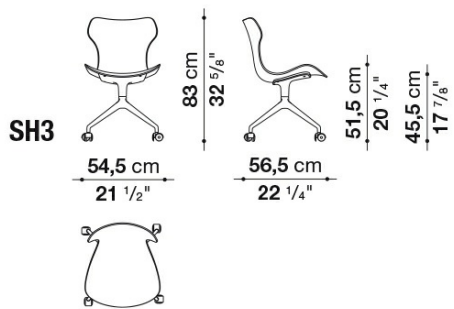
SH1I



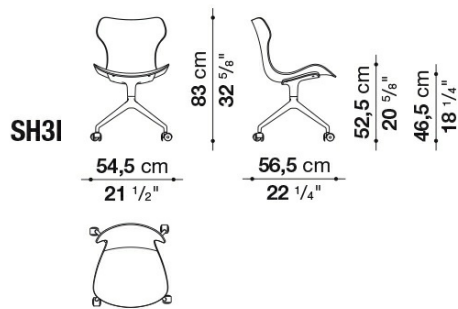
SH2



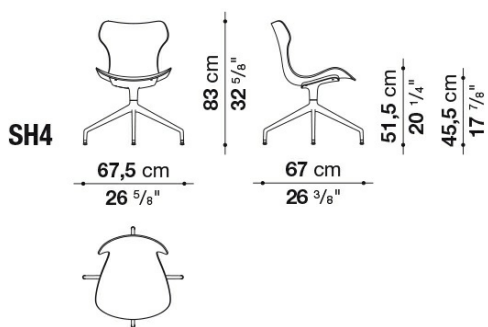
SH2I



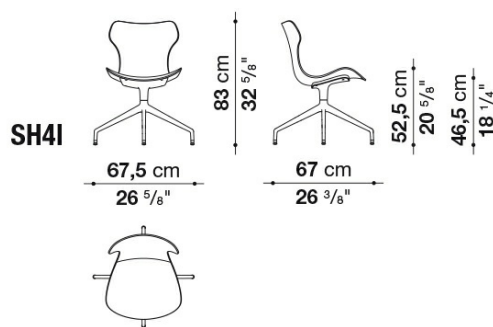
SH3



SH3I



SH4



SH4I

B&B Italia reserves the right to make technological and aesthetic improvements to its models, including changes to the sizes and materials, without notice. The technical drawings do not define the details of the product. The measurements shown are indicative and may undergo changes. In particular, the dimensions relevant to the padded parts are subject to usage tolerances over time caused by the normal adjustment of the padding. For the specific information, please contact the dealer closest to you.