
Husk

ARMCHAIRS

Patricia Urquiola



Description

“Those who look at a sofa must visually perceive a sense of both mental and physical comfort.” Patricia Urquiola has conveyed this concept to the armchair Husk by designing a stiff body made of Hirek[®] that contains a soft cushion divided into portions, which seem to underscore its ergonomic profile. It is endowed with an original spirit that merges with various styles. Three cushion types: standard, which is large and enveloping, or headrest. With or without an ottoman as footrest.

Technical information

Shell:

white, black, red, yellow or tortora plastic material Hirek®

Shell upholstery:

polyester fibre, cotton cover

Seat support:

shaped polyurethane, non-slip fabric

Swivel base-frame (H1G-H2G-H3G-H4G):

die-cast aluminium, steel profiles, black painted hard polyurethane, grey oak or brushed light oak solid wood

Base-frame (HP4):

steel profiles, black painted hard polyurethane, grey oak or brushed light oak solid wood

Base-frame (H1M-H2M-H3M-H4M-HP4M):

white, black, orange, light blue or acid green painted aluminium die-cast and profiles

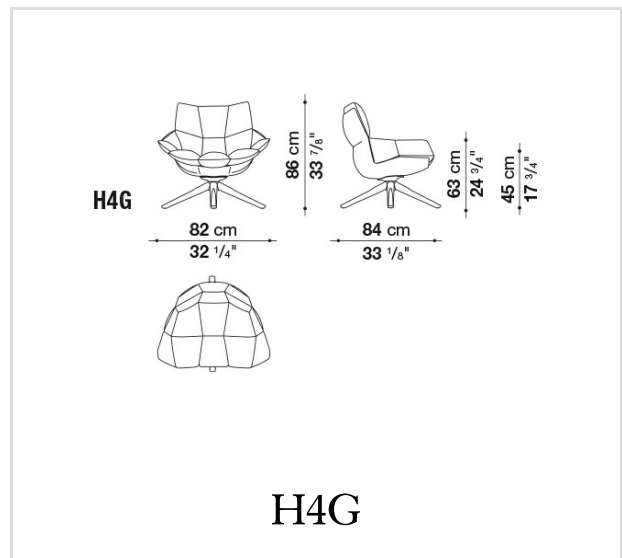
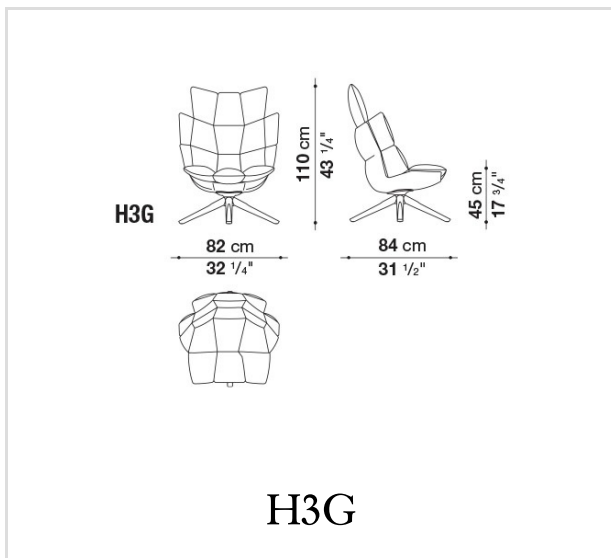
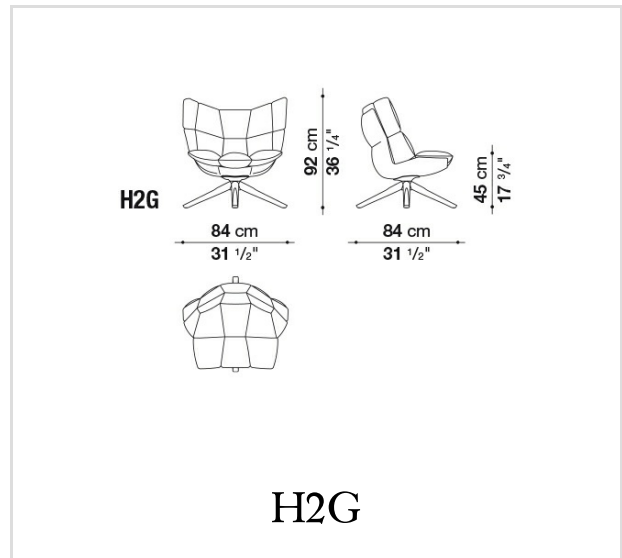
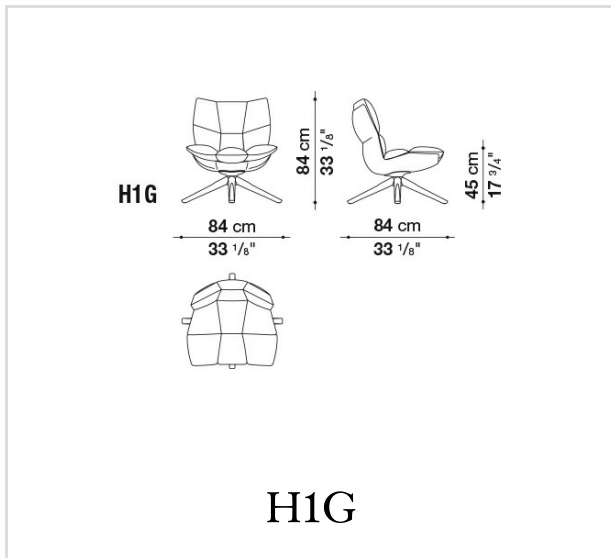
Ferrules:

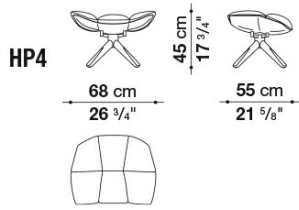
plastic material

Cover:

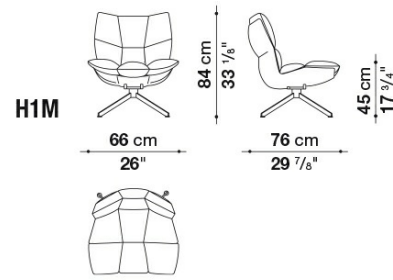
fabric or leather

Technical drawings

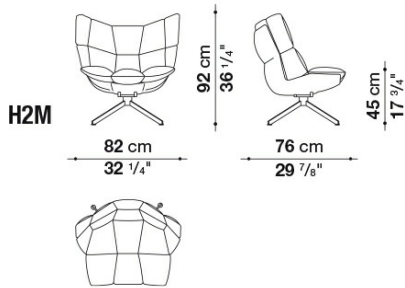




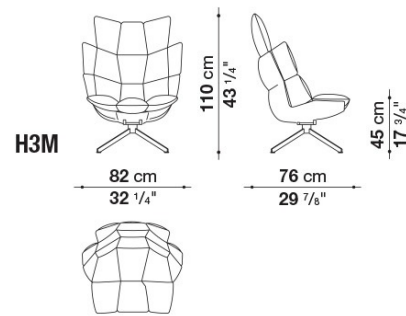
HP4



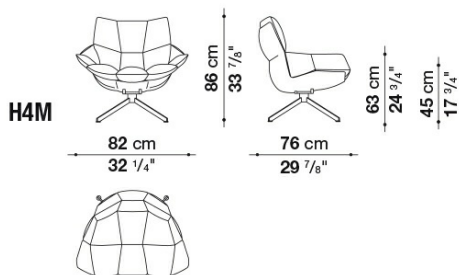
H1M



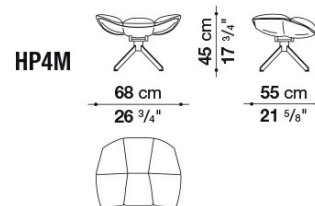
H2M



H3M



H4M



HP4M

B&B Italia reserves the right to make technological and aesthetic improvements to its models, including changes to the sizes and materials, without notice. The technical drawings do not define the details of the product. The measurements shown are indicative and may undergo changes. In particular, the dimensions relevant to the padded parts are subject to usage tolerances over time caused by the normal adjustment of the padding. For the specific information, please contact the dealer closest to you.