

## Caratos

ARMCHAIRS

2018

Antonio Citterio



## Description

---

The Caratos armchair, available with a high or low tub backrest, is characterised by fluid shapes and by a lightweight frame. Instead characterised by an enveloping upholstered back that also forms the armrest, the Caratos small armchair is free from postural constraints, favouring conversation and interaction with those nearby. Covered in either fabric or leather, they are part of a collection bursting with proposals for the most diverse settings, united by a base frame in painted die-cast aluminium.

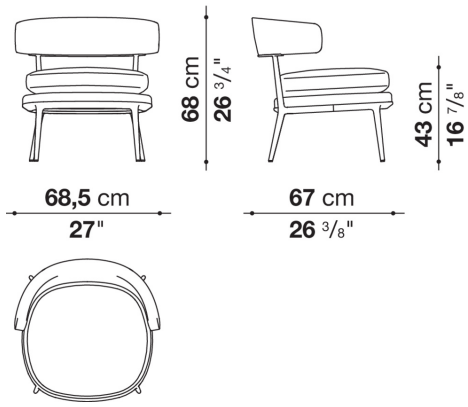
## Technical information

---

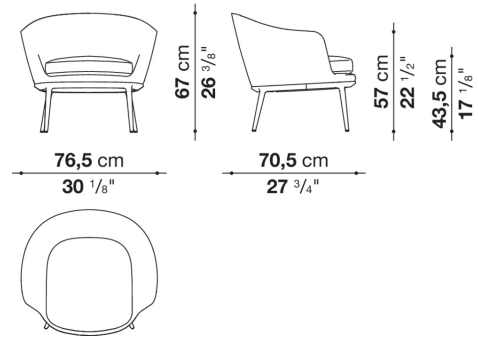
Shell  
polypropylene  
Shell upholstery  
Bayfit® flexible cold shaped polyurethane foam  
Support frame  
melting in aluminium alloy  
Ferrules  
plastic material  
Cover  
fabric or leather

# Technical drawings

## SCA69



## CA77B



## CA77A

